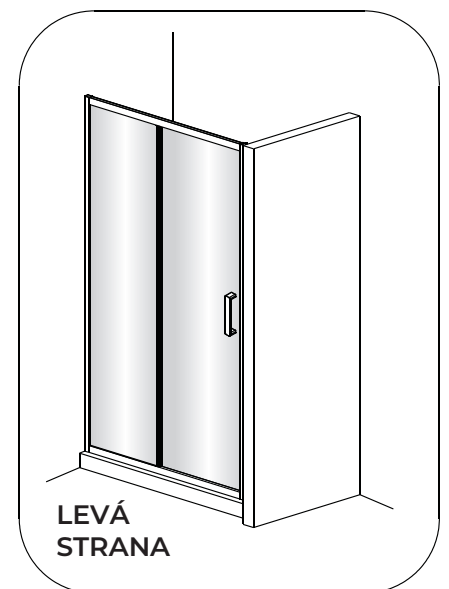
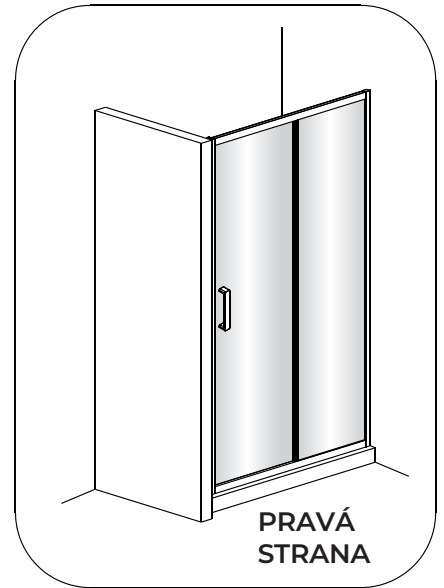
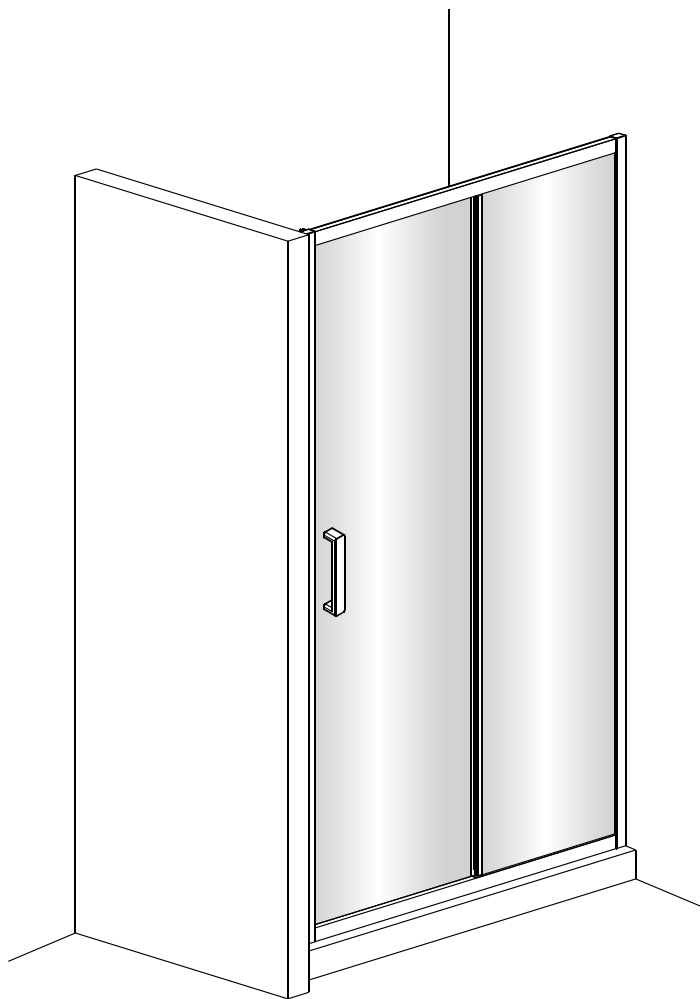
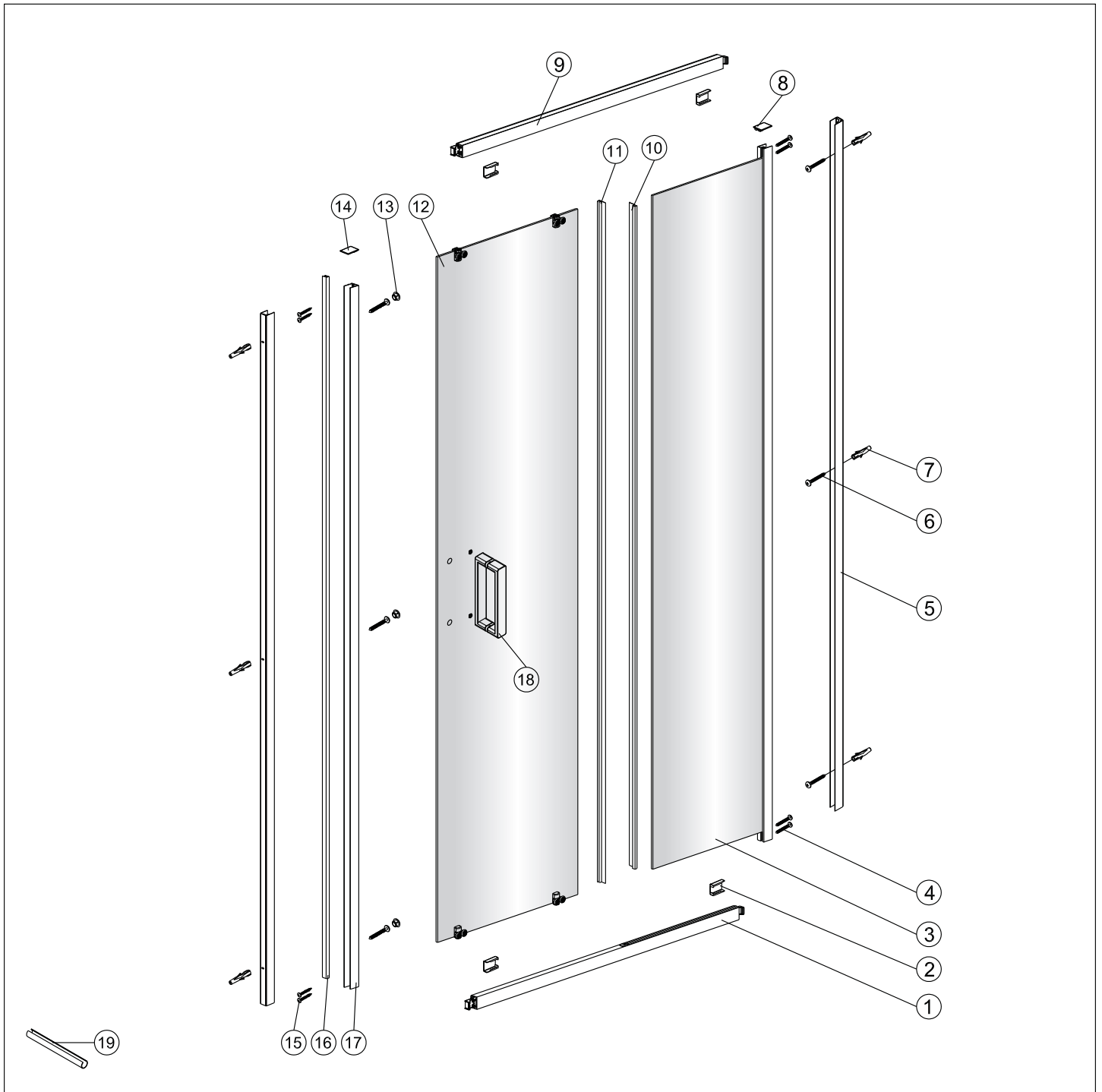
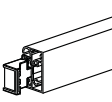

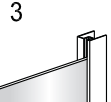

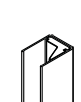



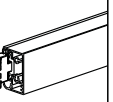
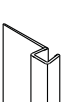

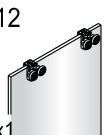





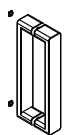
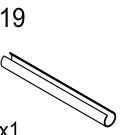


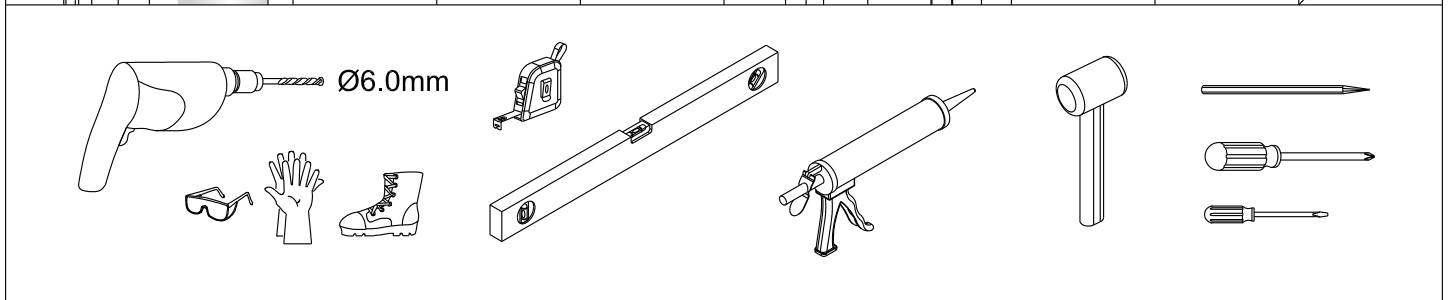
# OLTENS



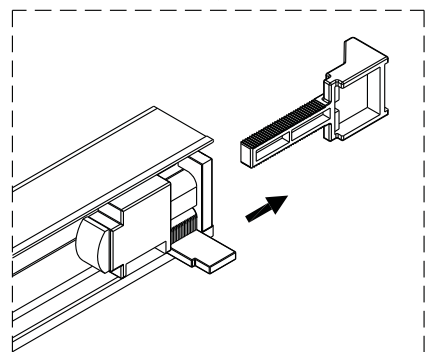
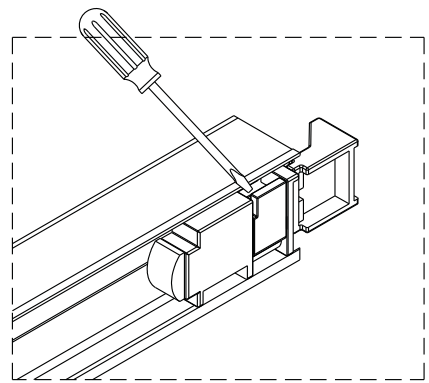
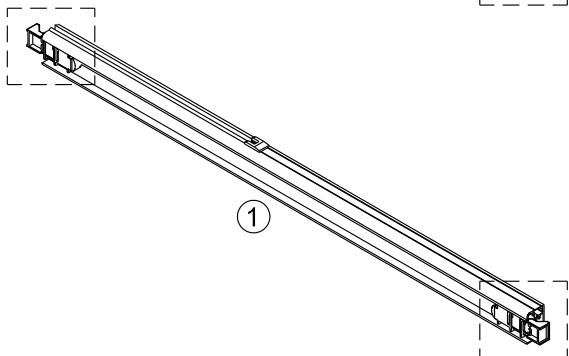
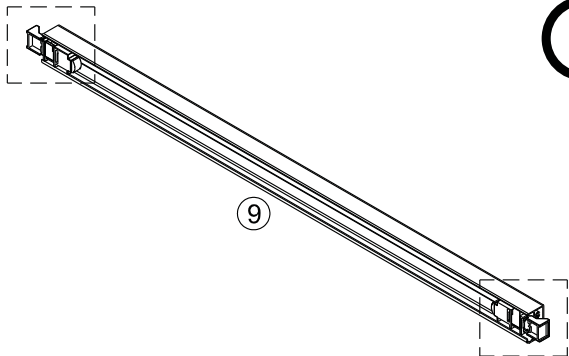
# Fulla



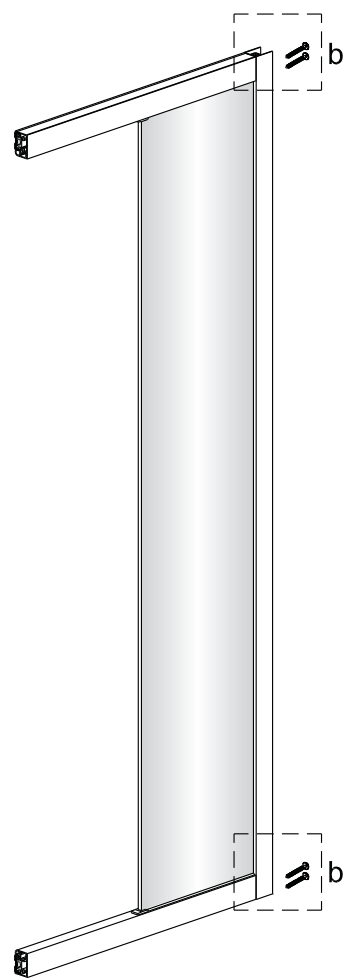
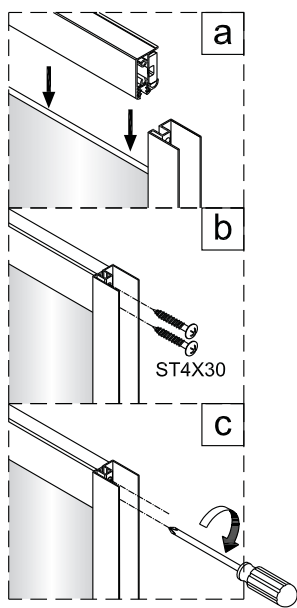
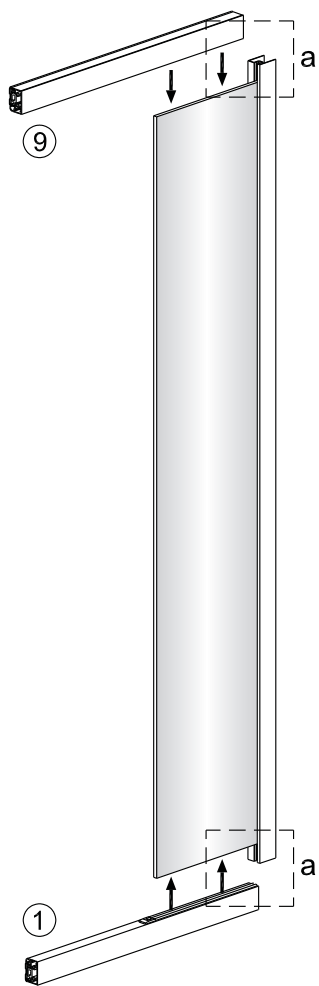
1  x1	2  x4	3  x1	4  x4 ST4X30	5  x2	6  x6 ST4X40	7  x6	8  x1	9  x1	10  x1
11  x1	12  x1	13  x3	14  x1	15  x4 ST4X20	16  x1	17  x1	18  x1	19  x1	



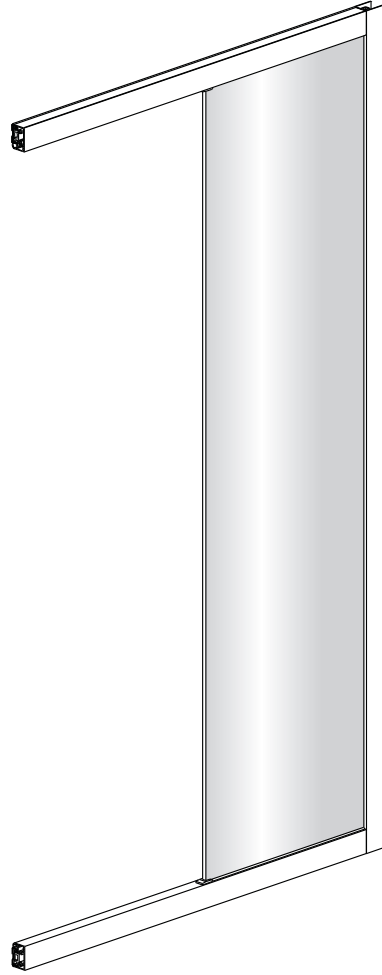
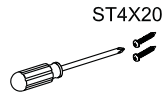
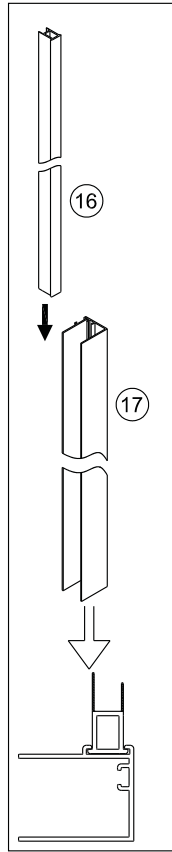
①



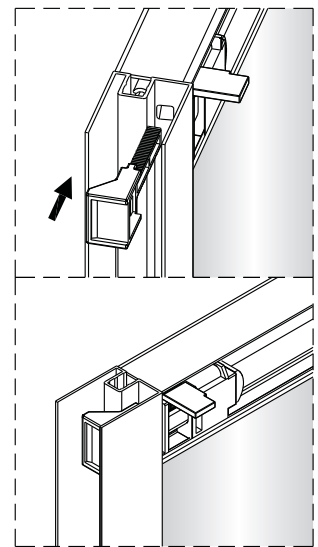
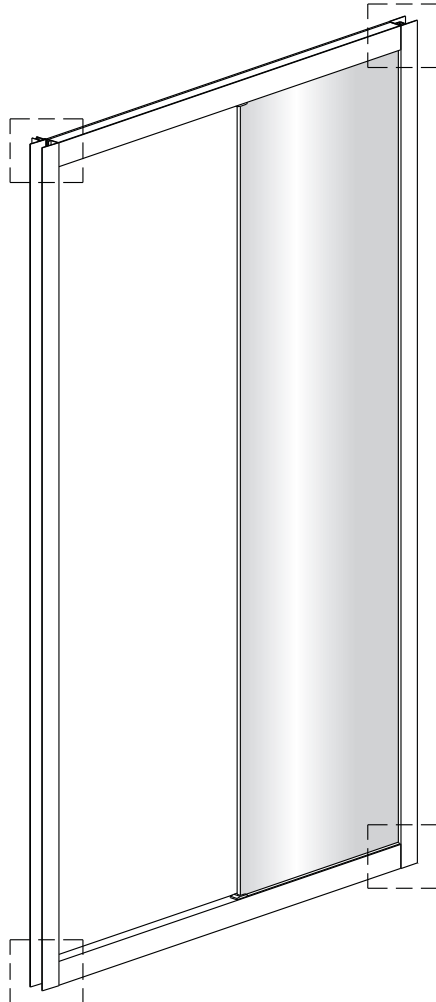
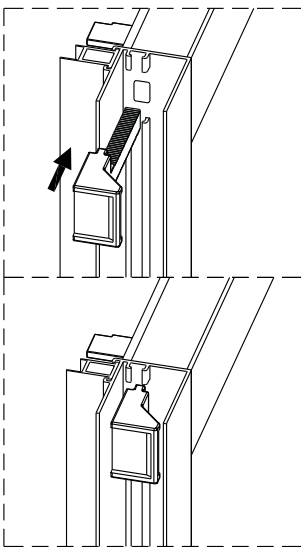
②

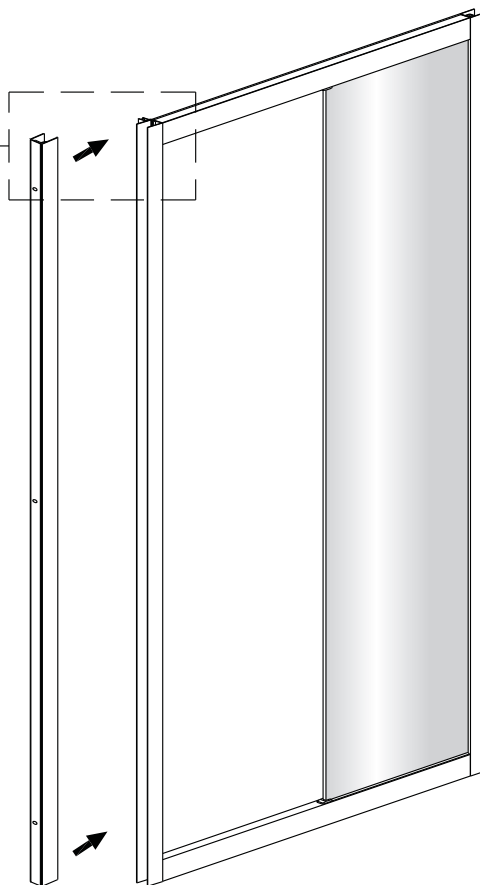
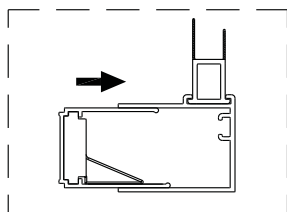
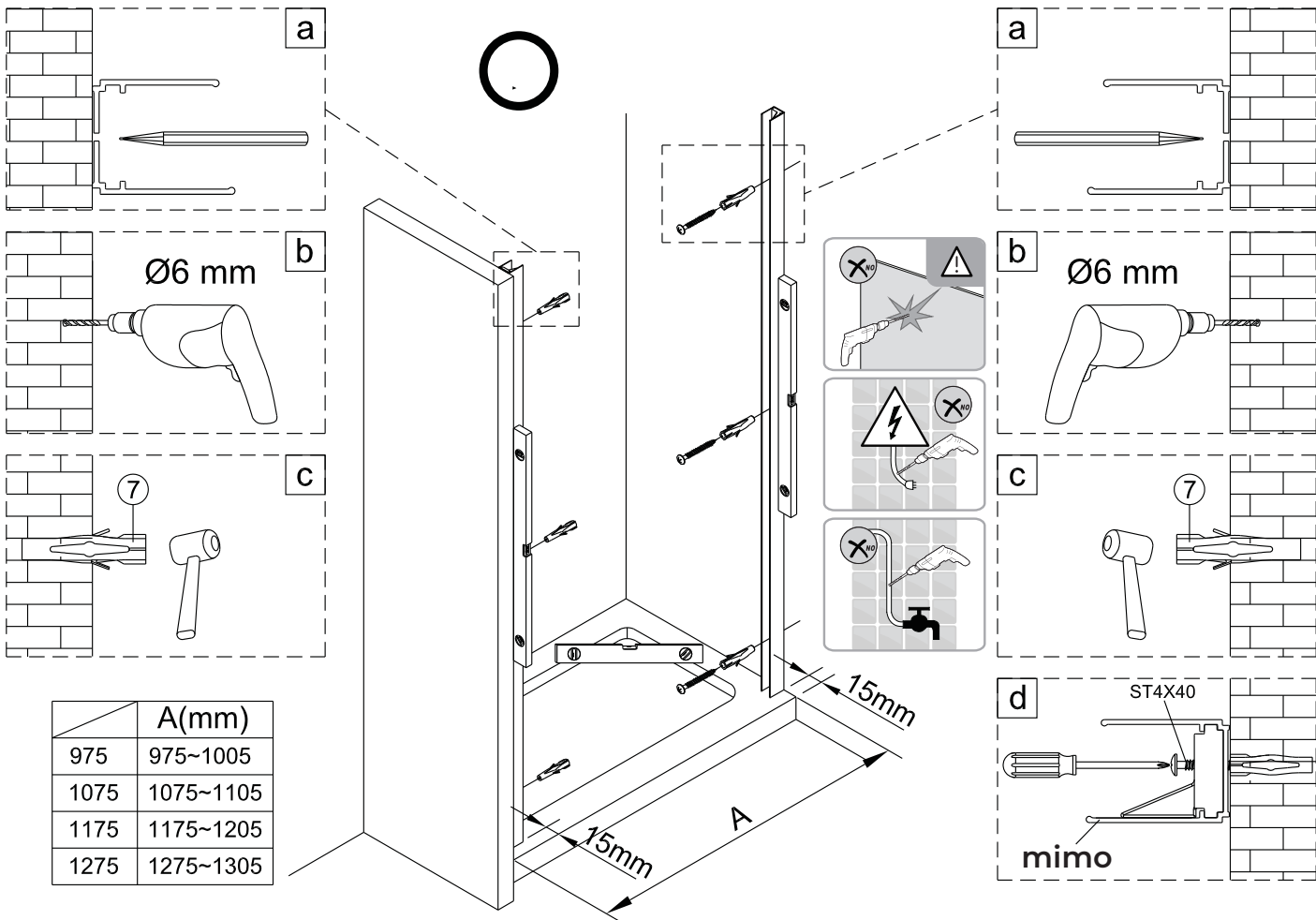


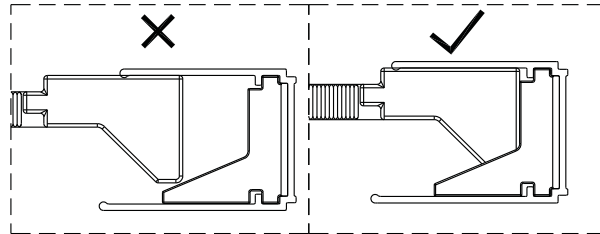
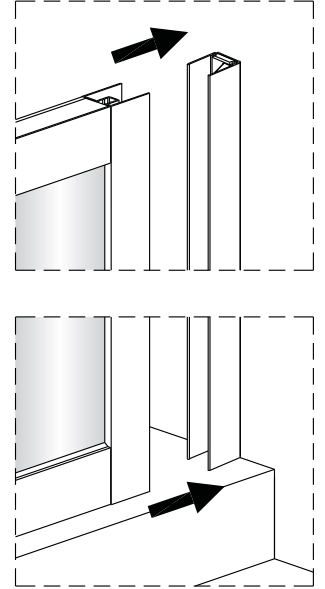
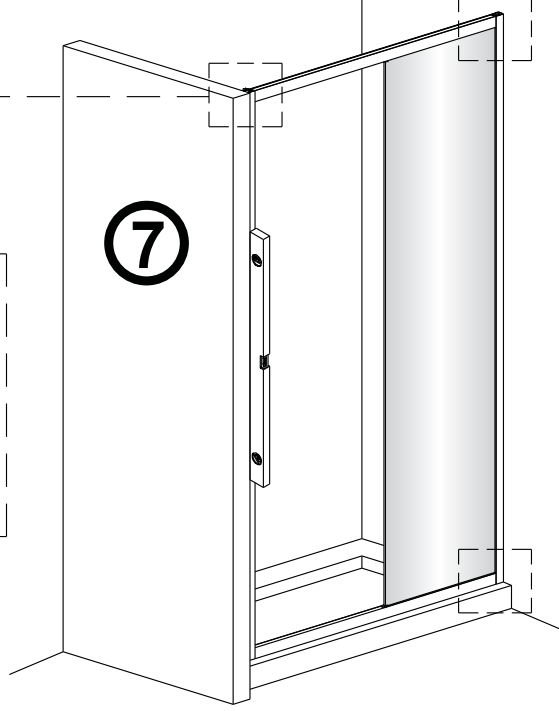
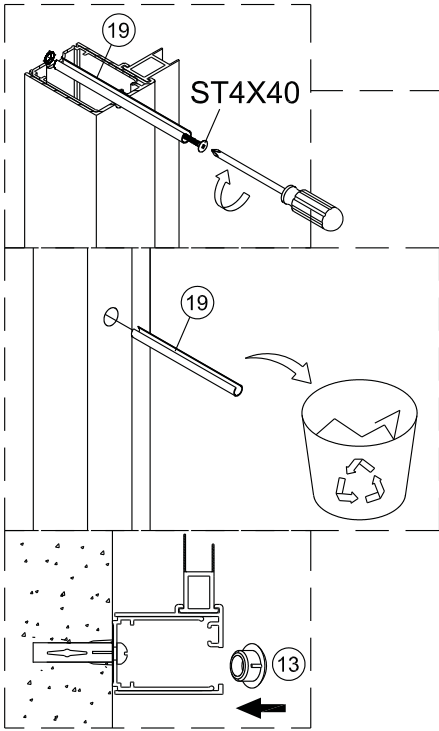
3



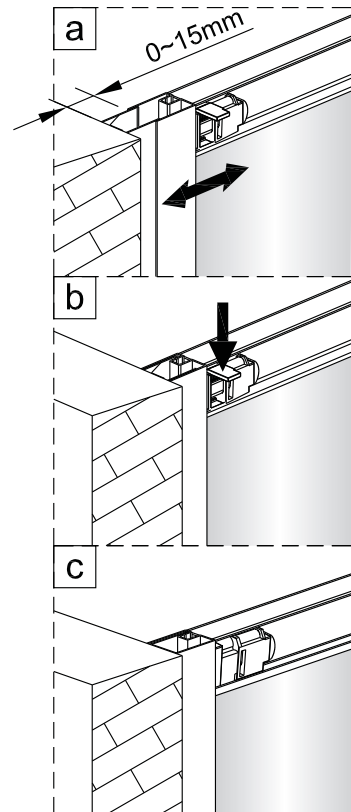
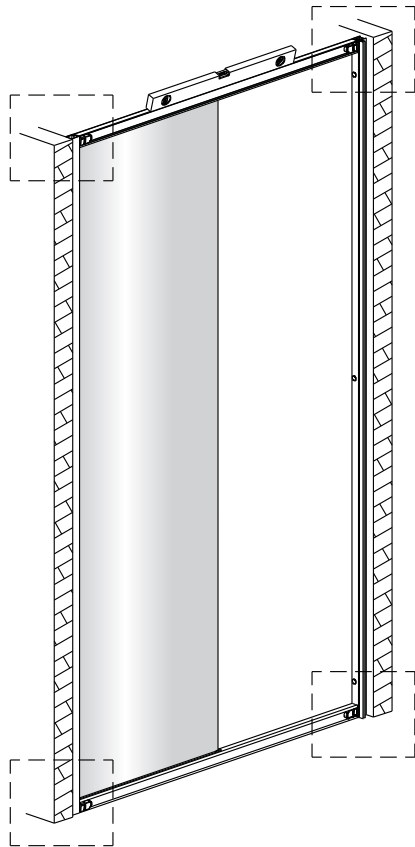
4



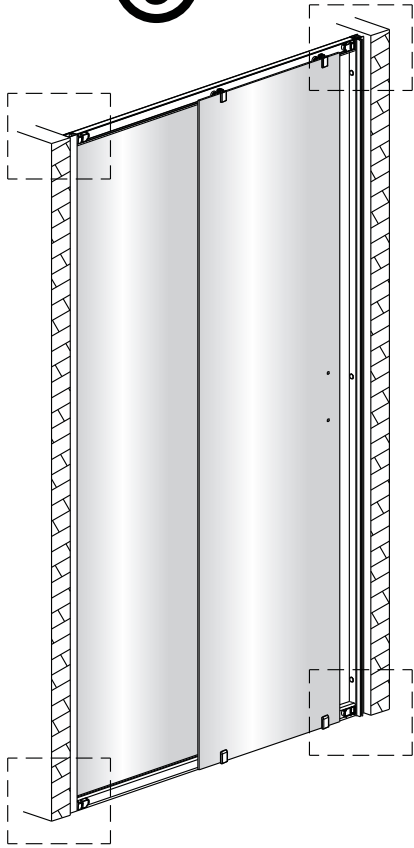




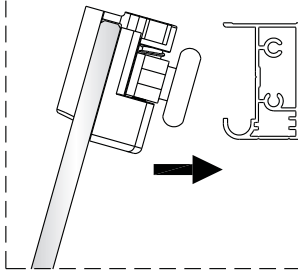
8



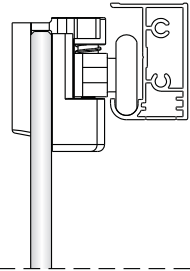
9



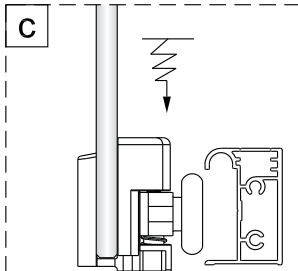
a



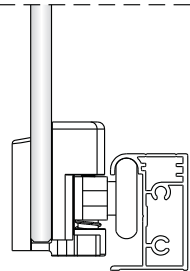
b



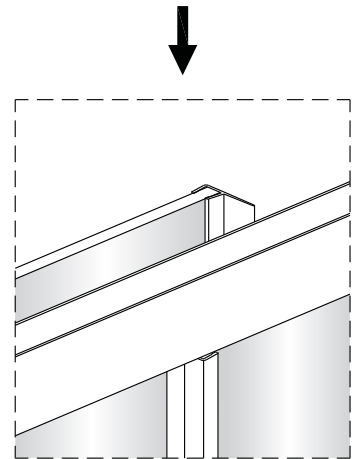
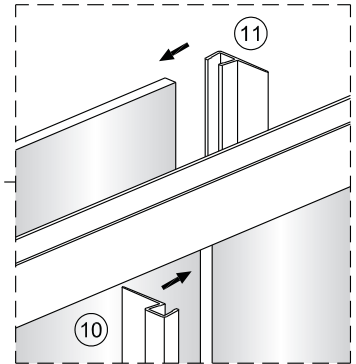
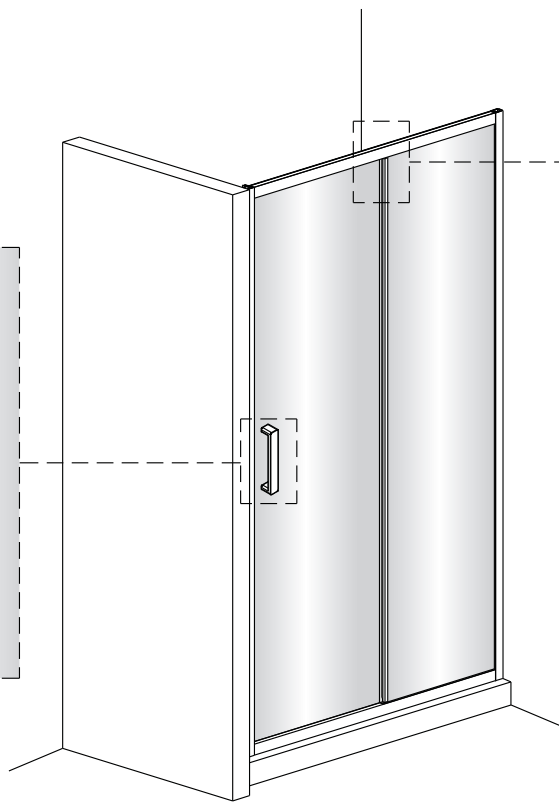
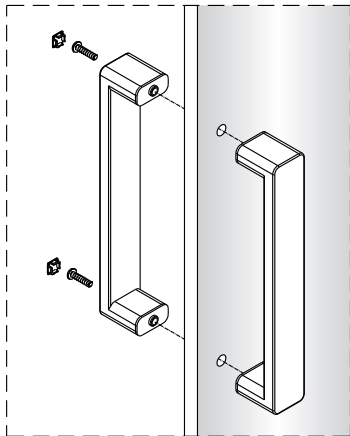
c

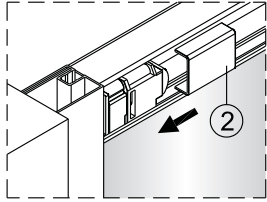


d

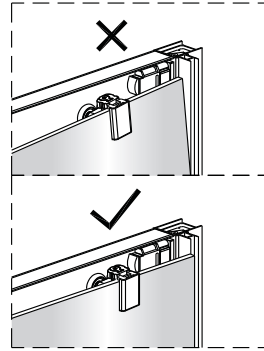
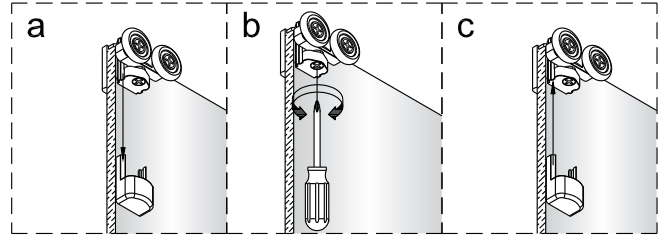
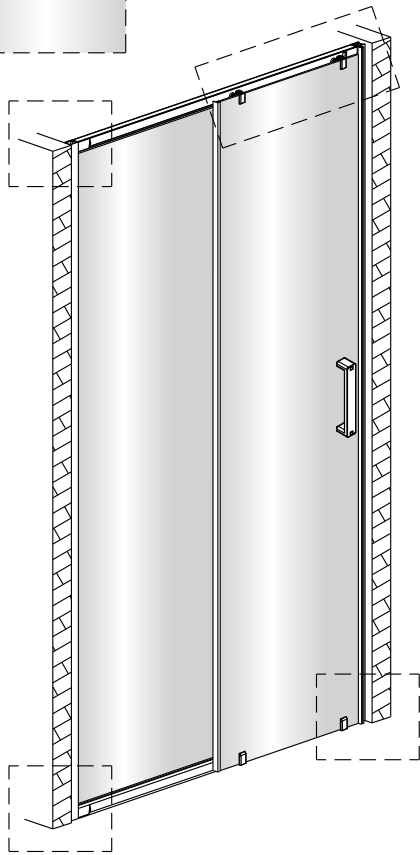


10

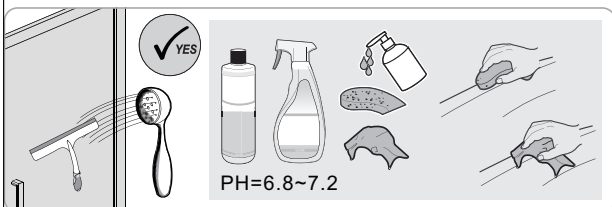
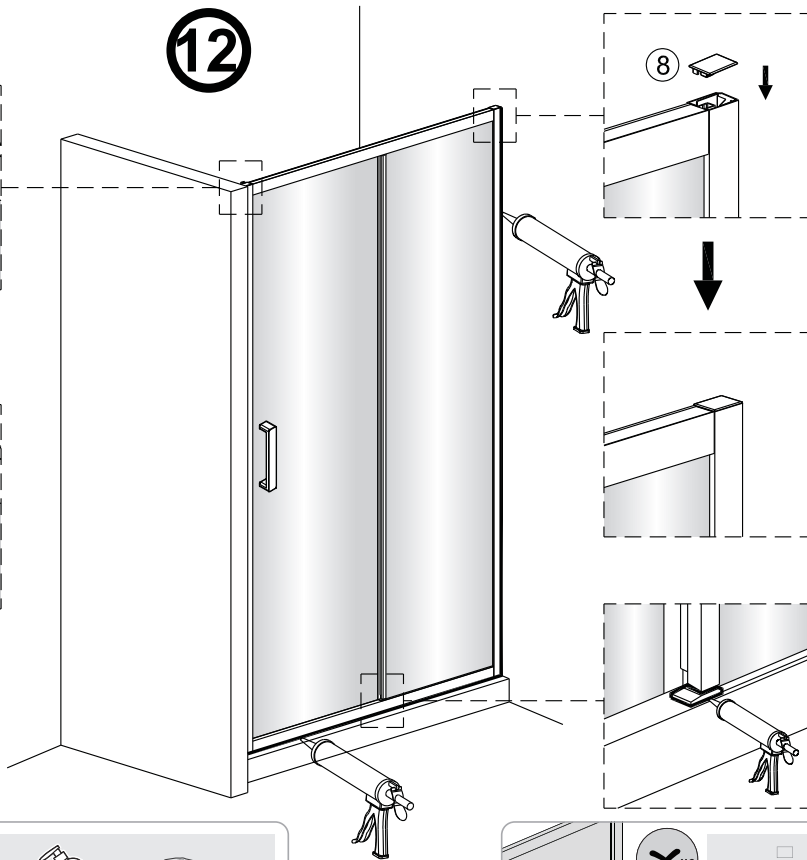
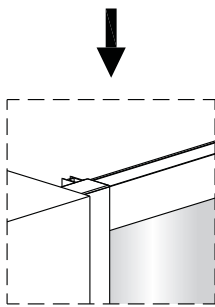
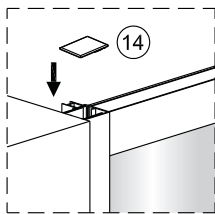




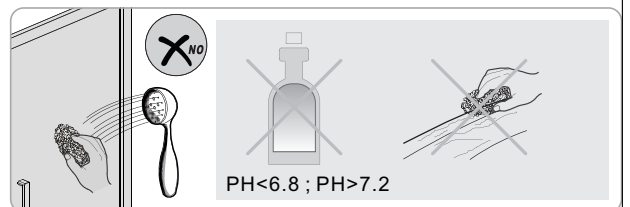
11



12



PH=6.8~7.2



PH<6.8 ; PH>7.2