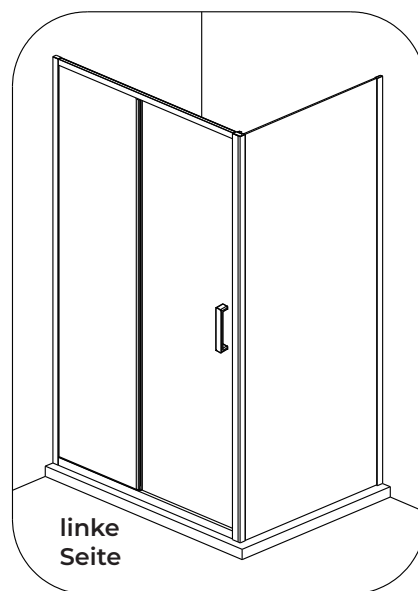
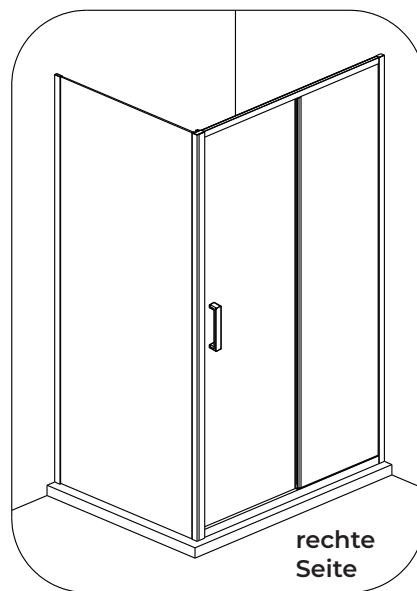
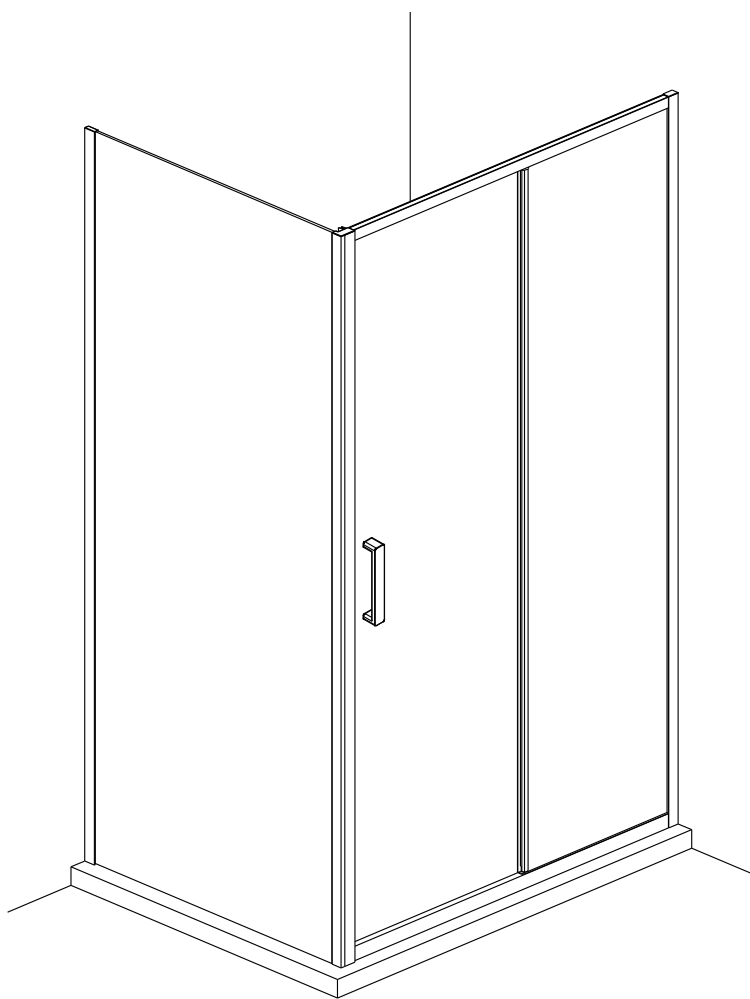
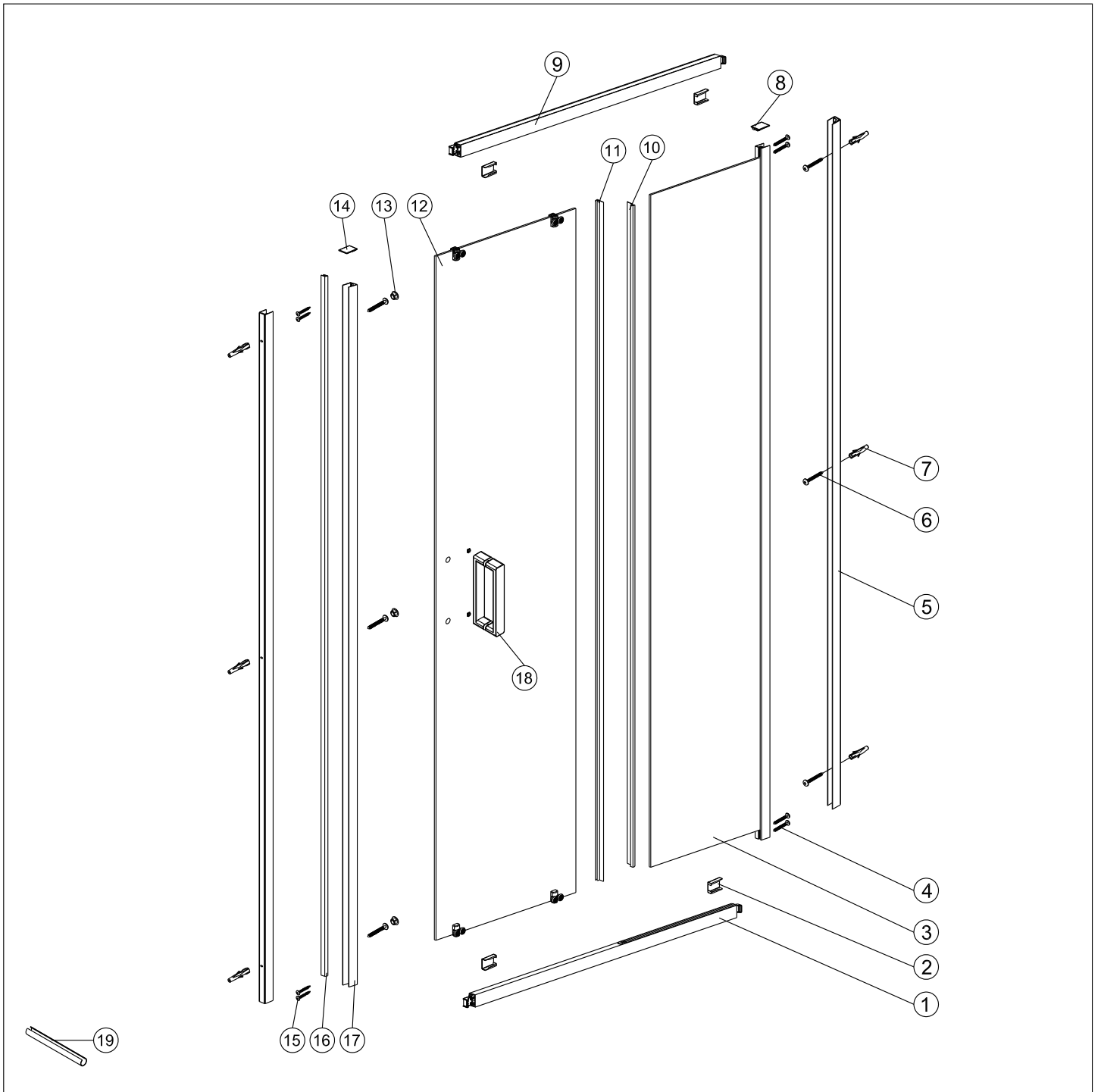


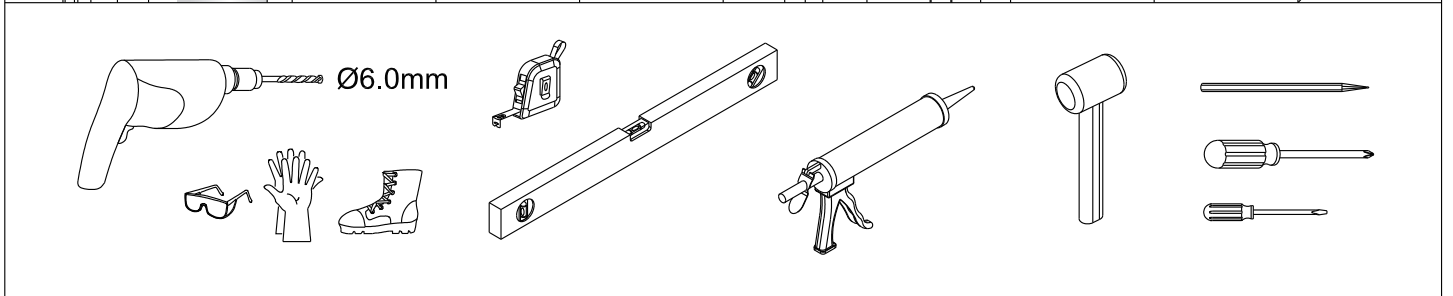
# OLTENS


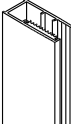


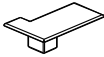
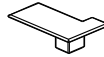
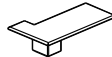
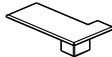

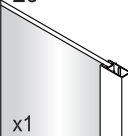


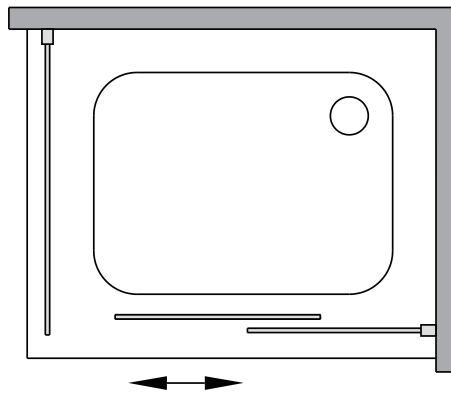
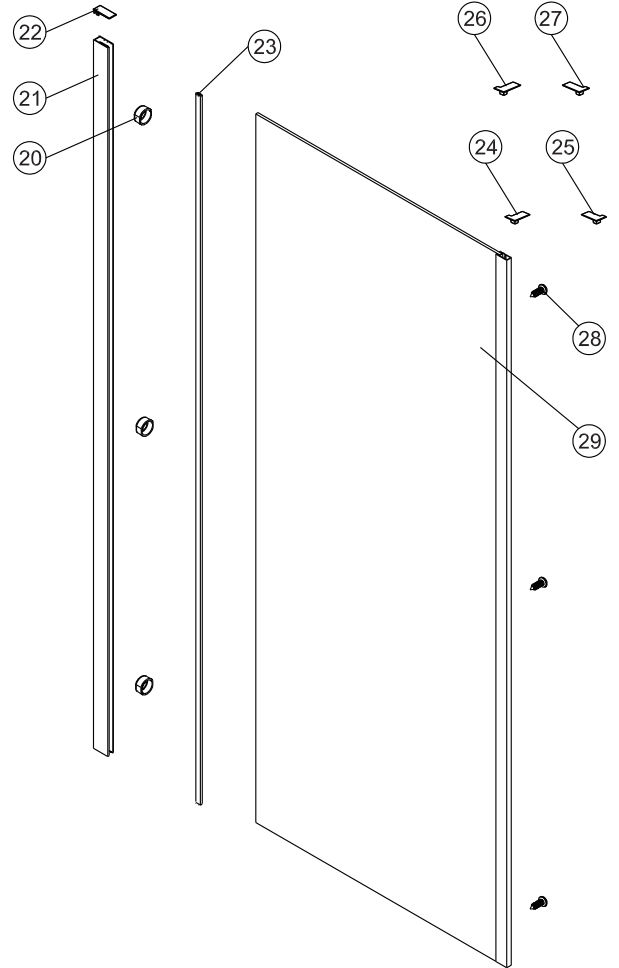
# Fulla

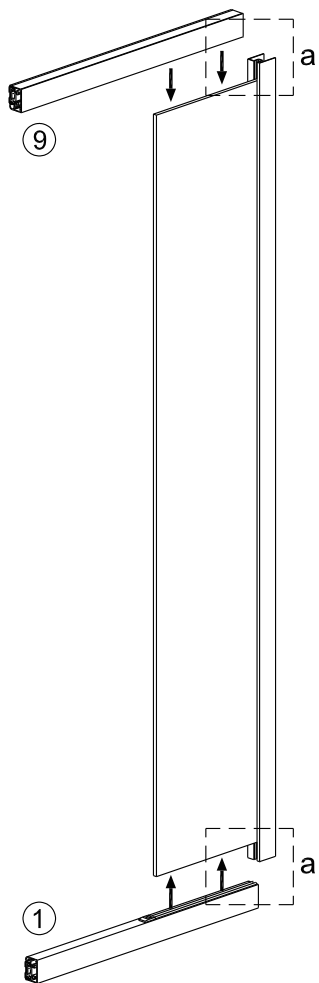
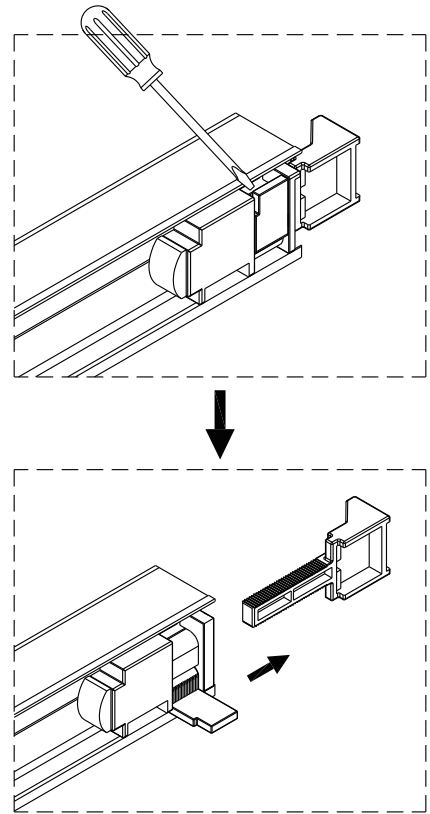
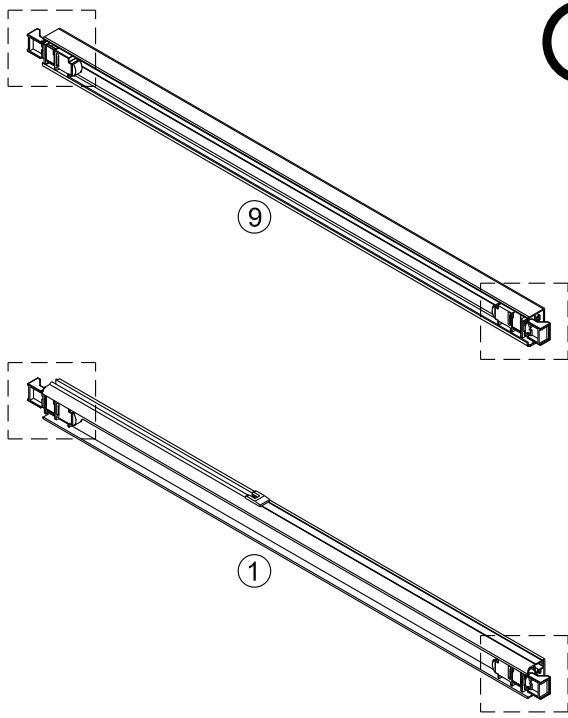


1 x1	2 x4	3 x1	4 x4 ST4X30	5 x2	6 x6 ST4X40	7 x6	8 x1	9 x1	10 x1
11 x1	12 x1	13 x3	14 x1	15 x4 ST4X20	16 x1	17 x1	18 x1	19 x1	

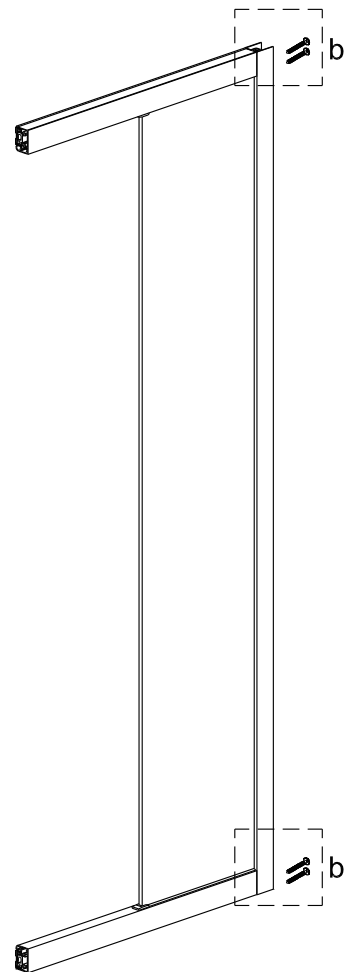
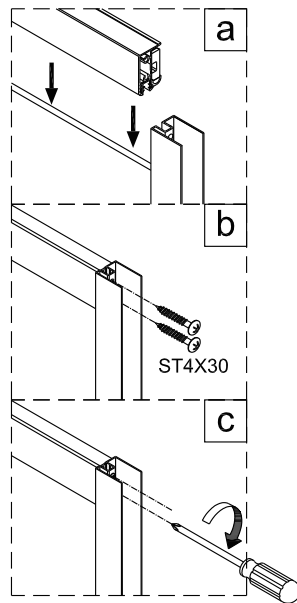


20  x3	21  x1	22  x1	23  x1
24  x1	25  x1	26  x1	27  x1
28  x3 ST4X12	29  x1		

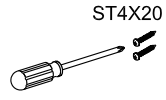
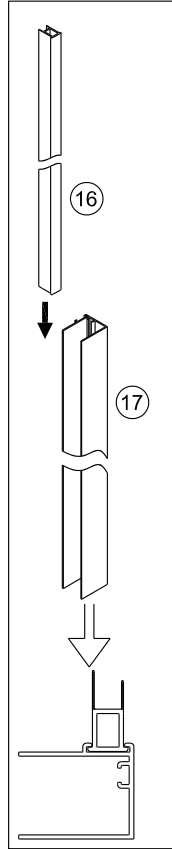




②

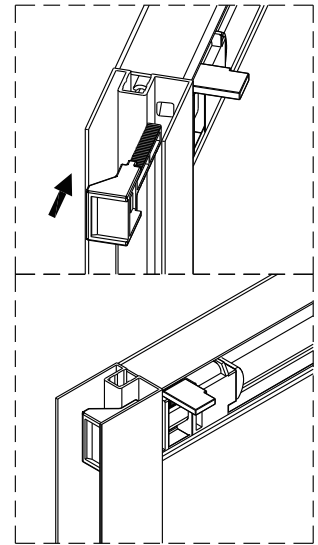
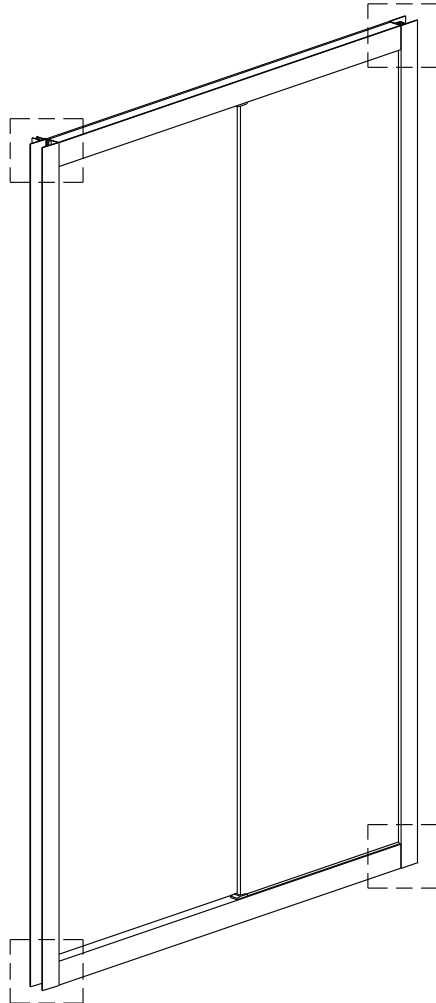
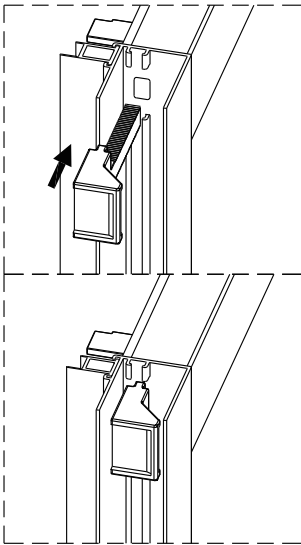


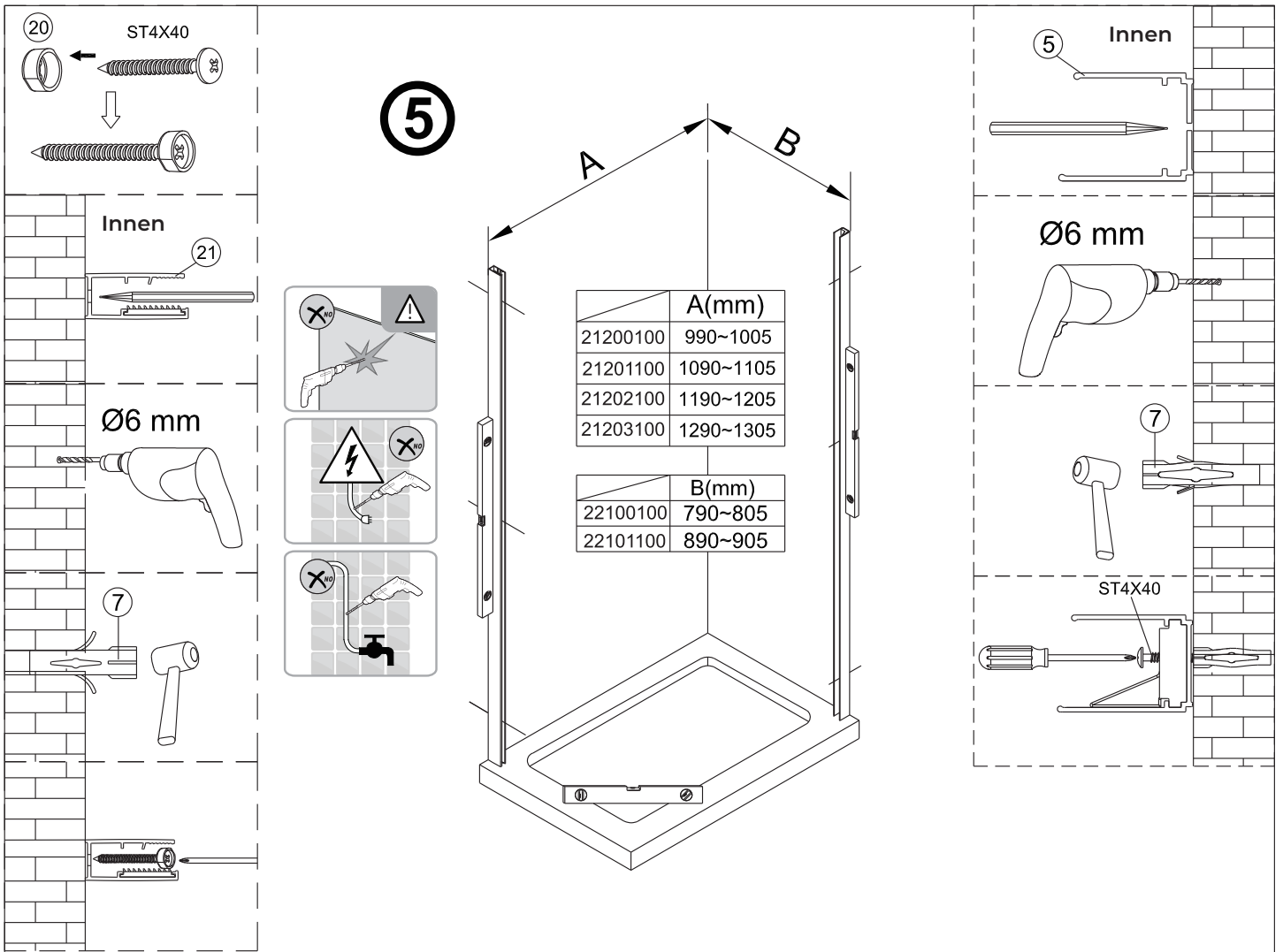
3



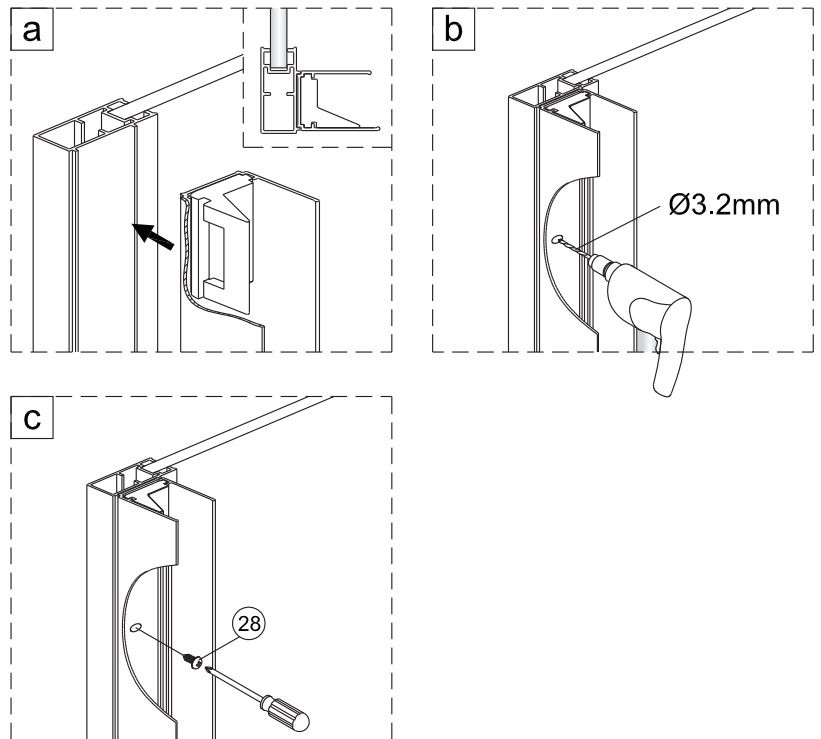
ST4X20

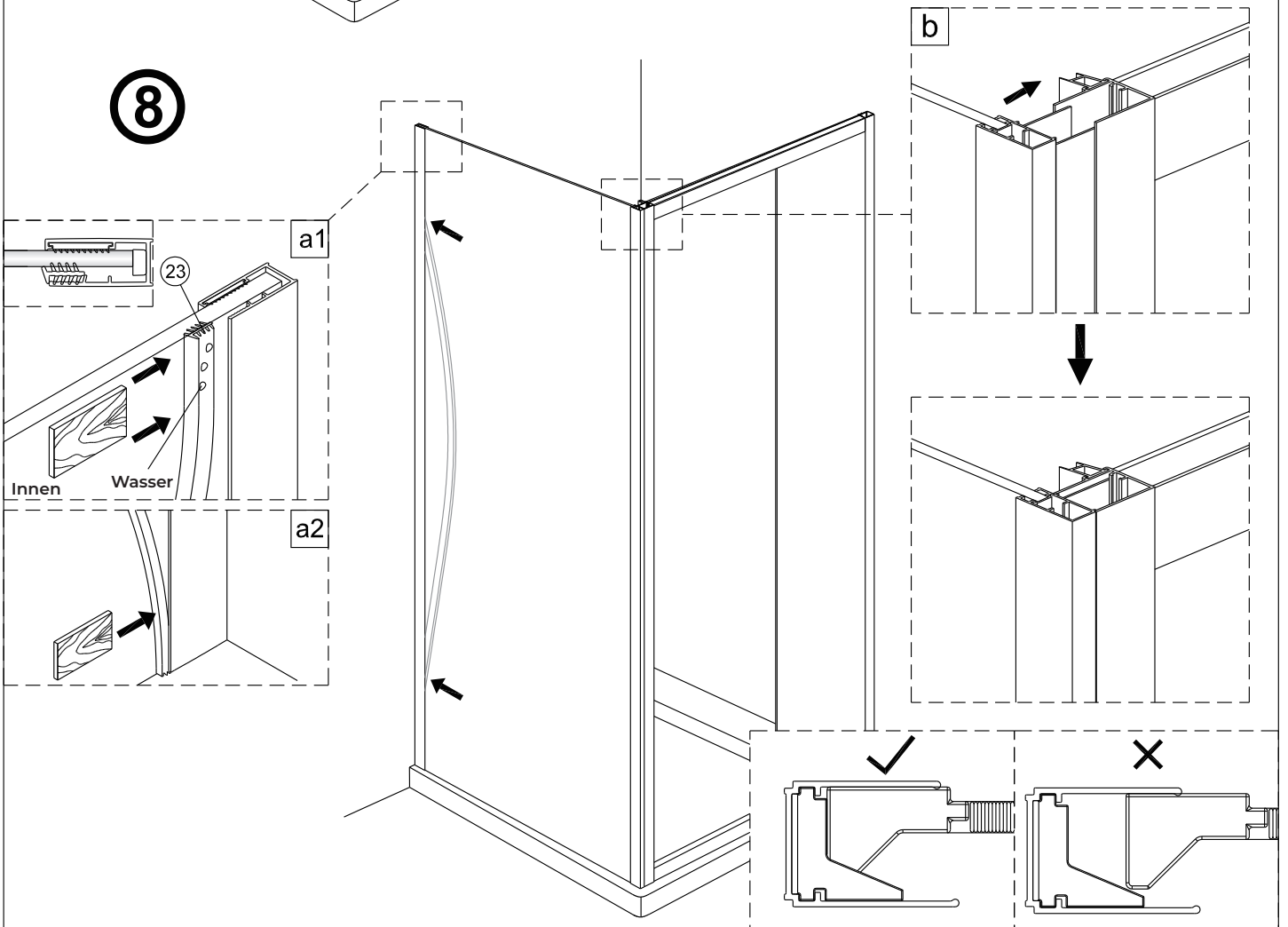
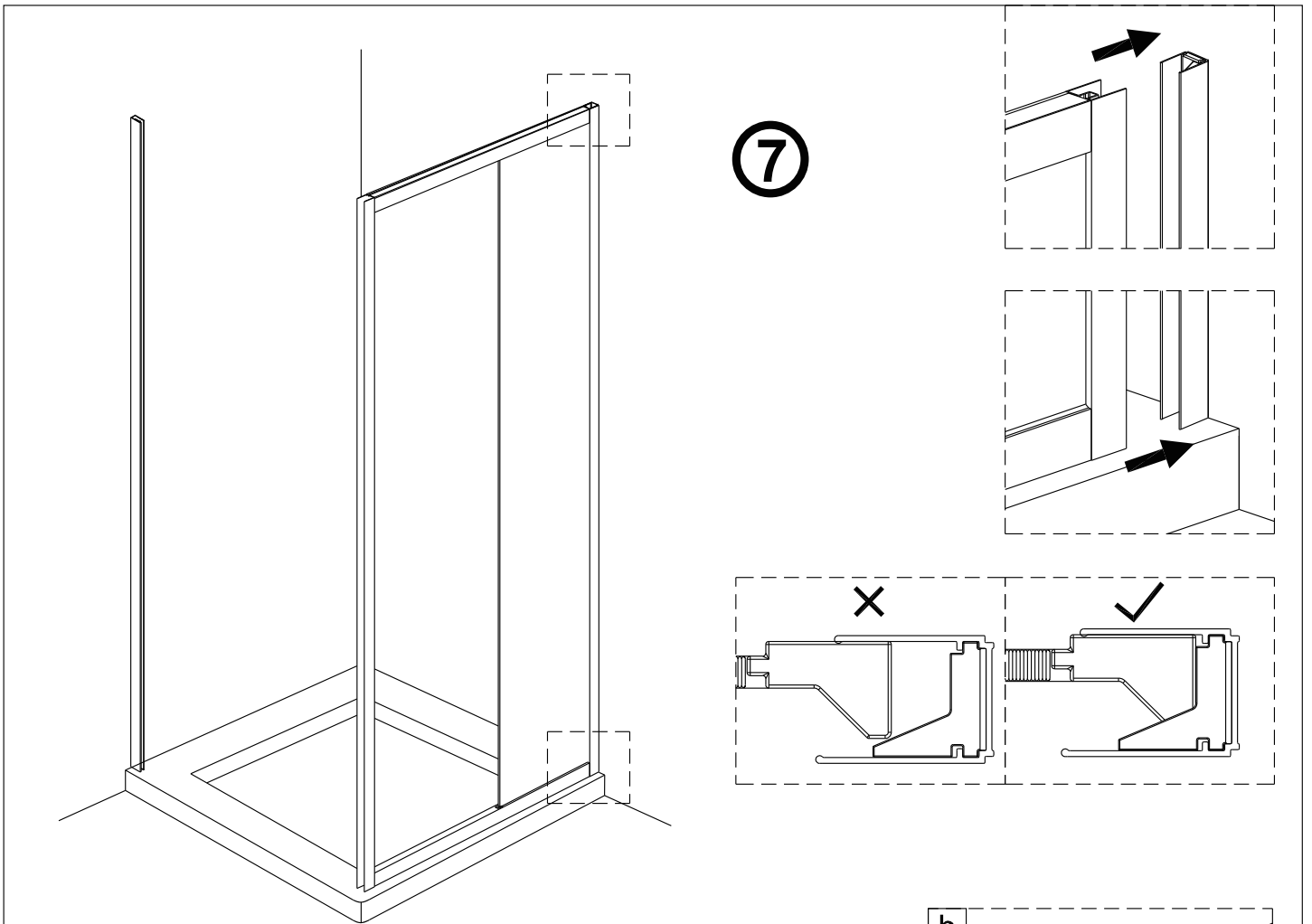
4



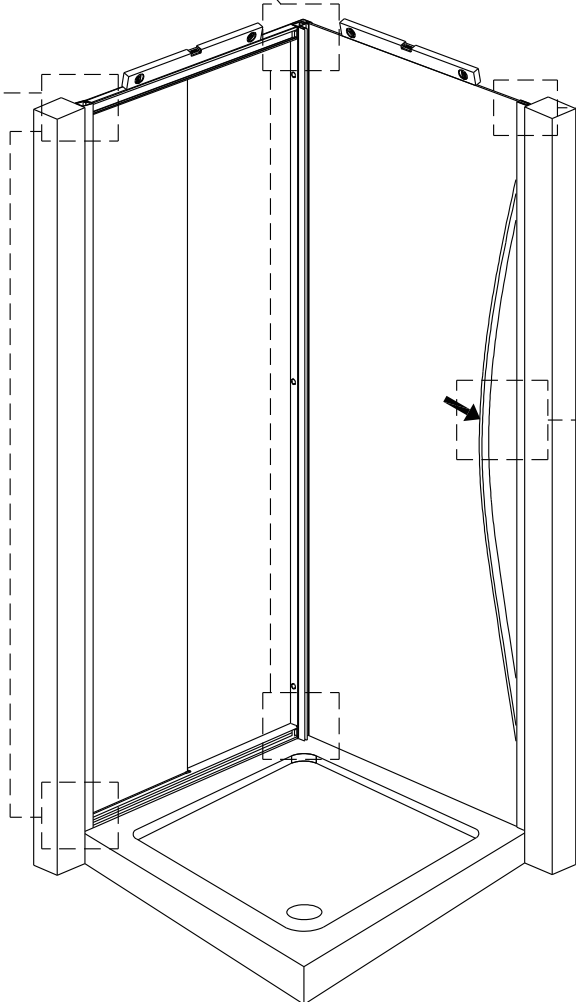
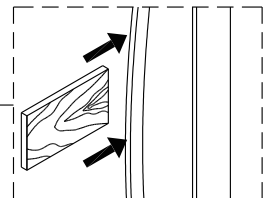
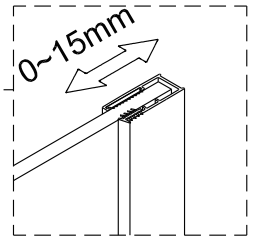
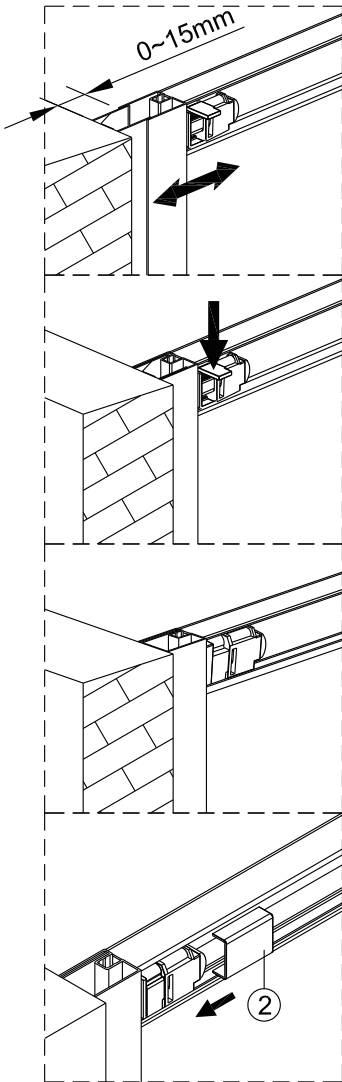
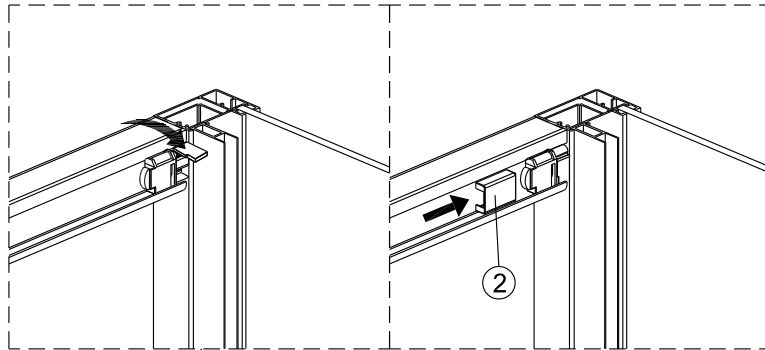


**6**



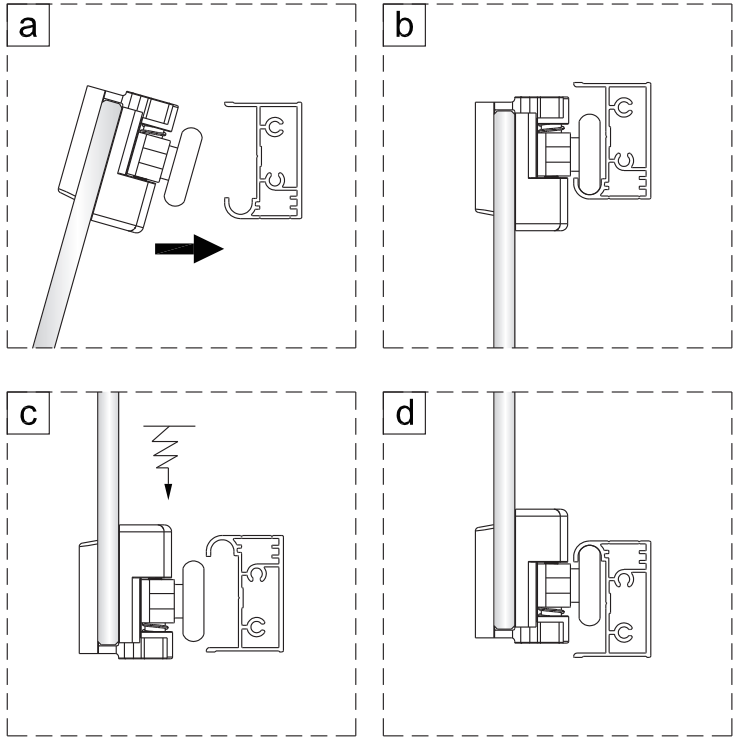
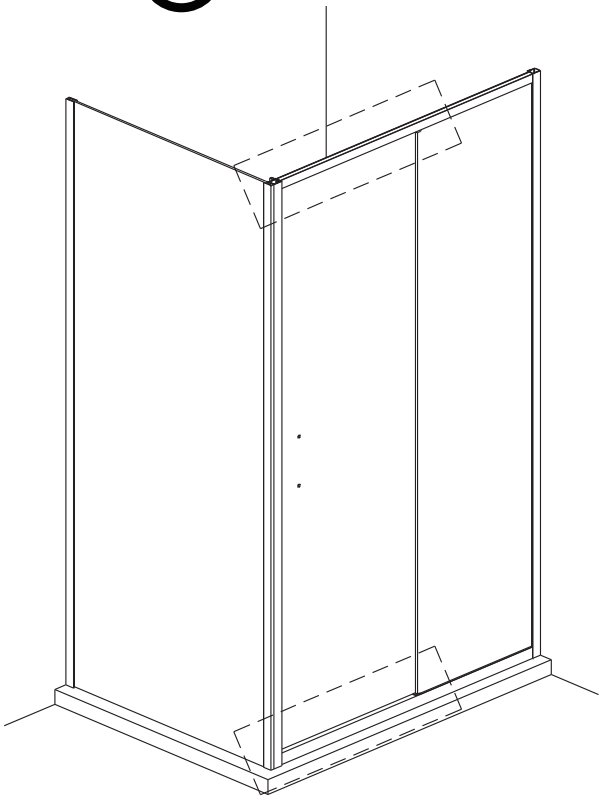


9

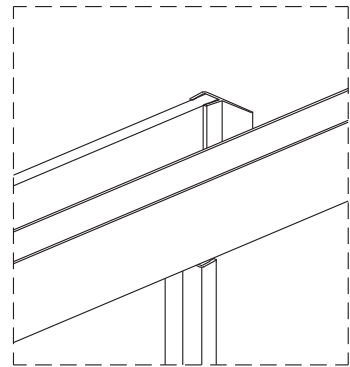
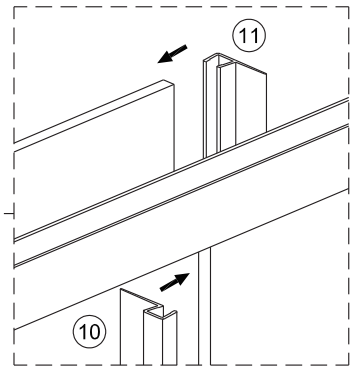
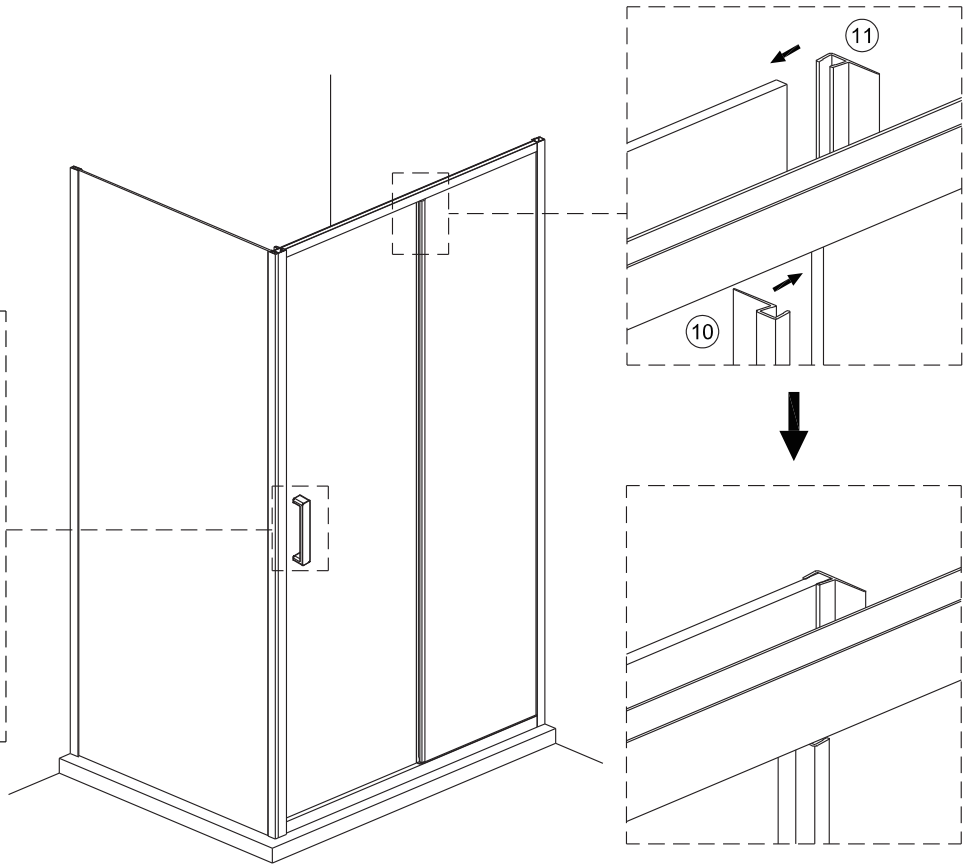
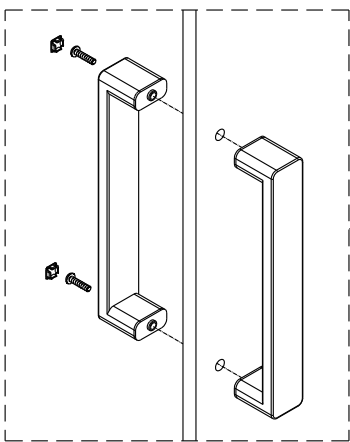




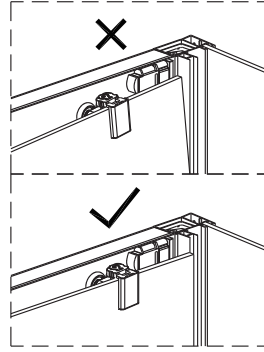
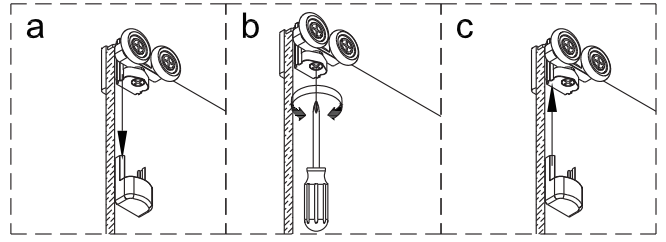
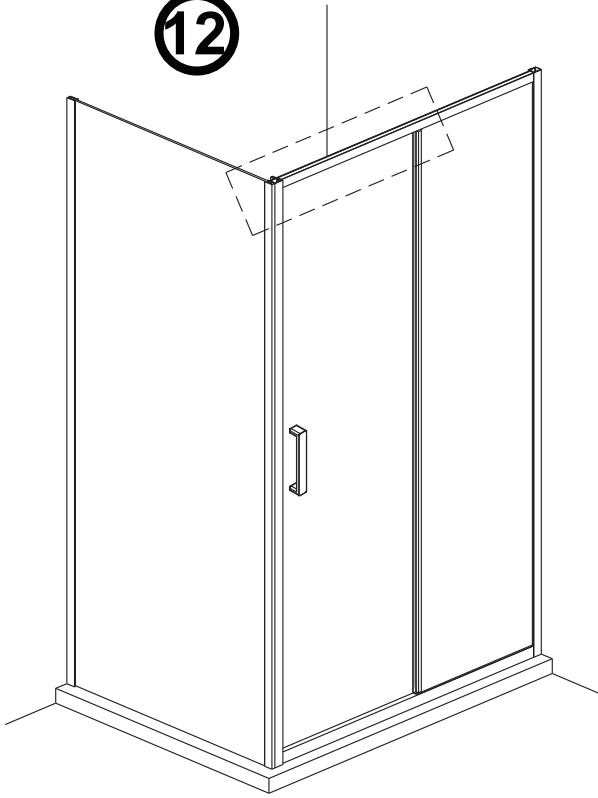
10



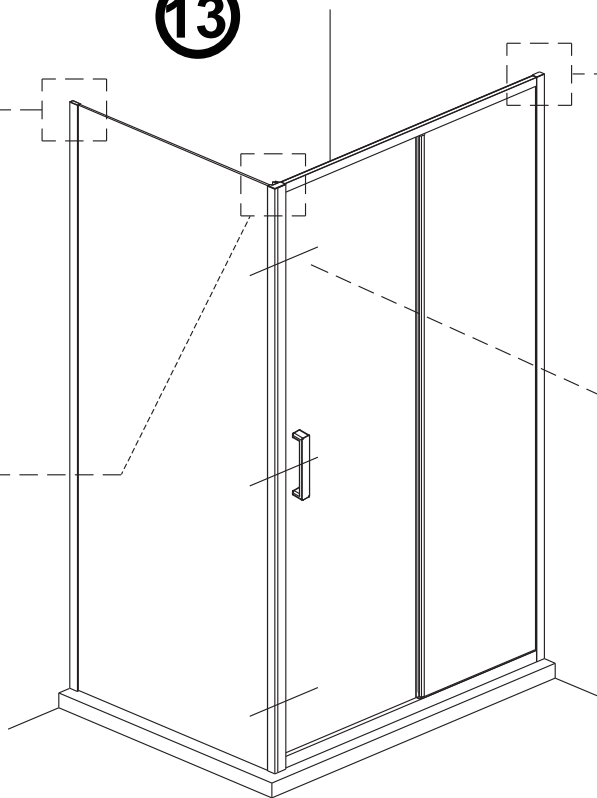
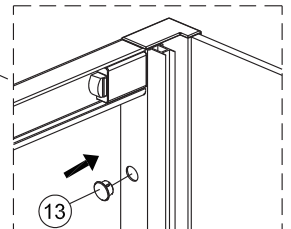
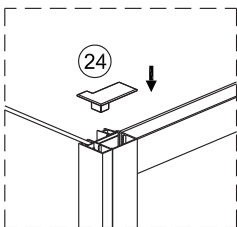
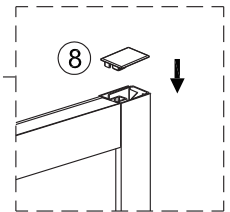
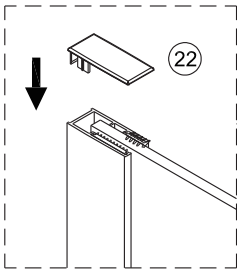
11



12



13



14

