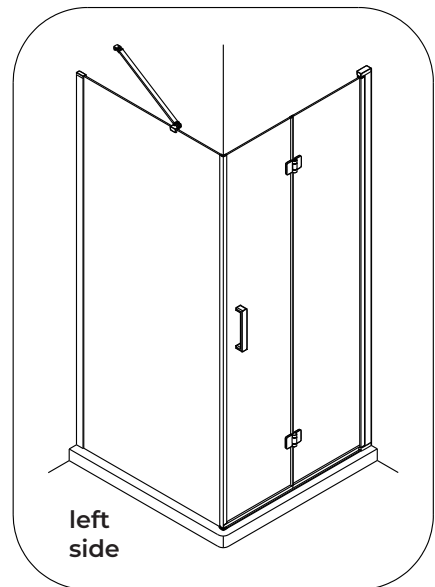
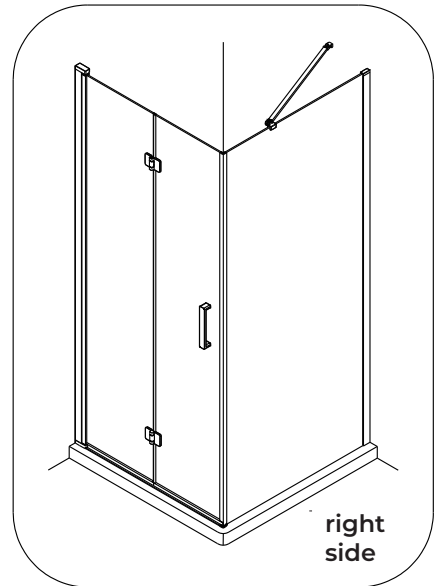
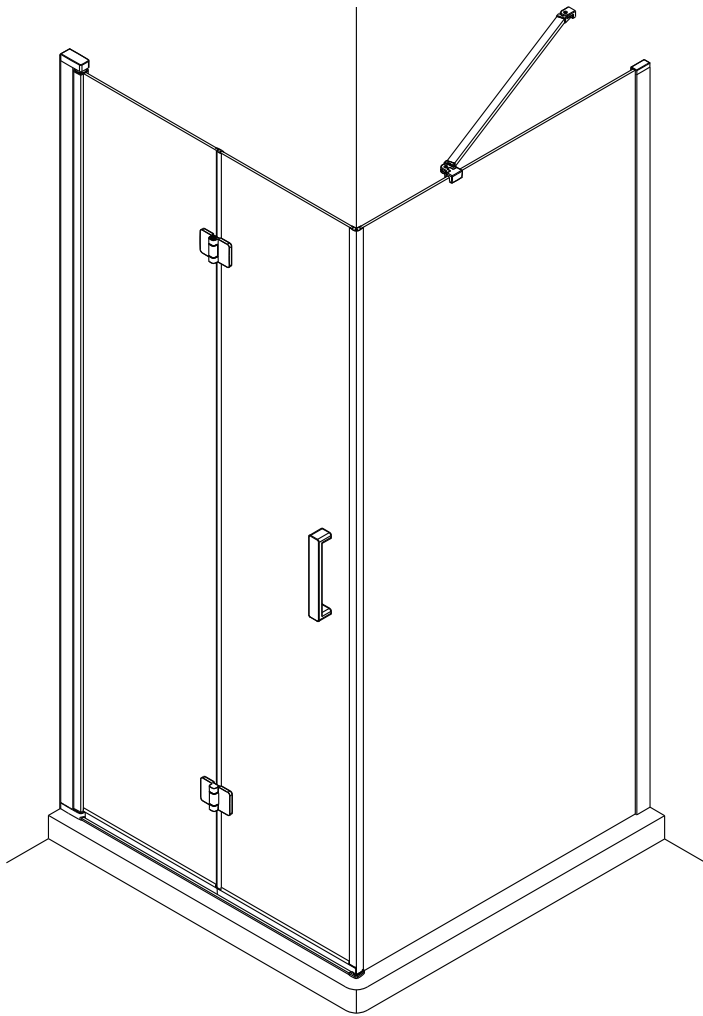
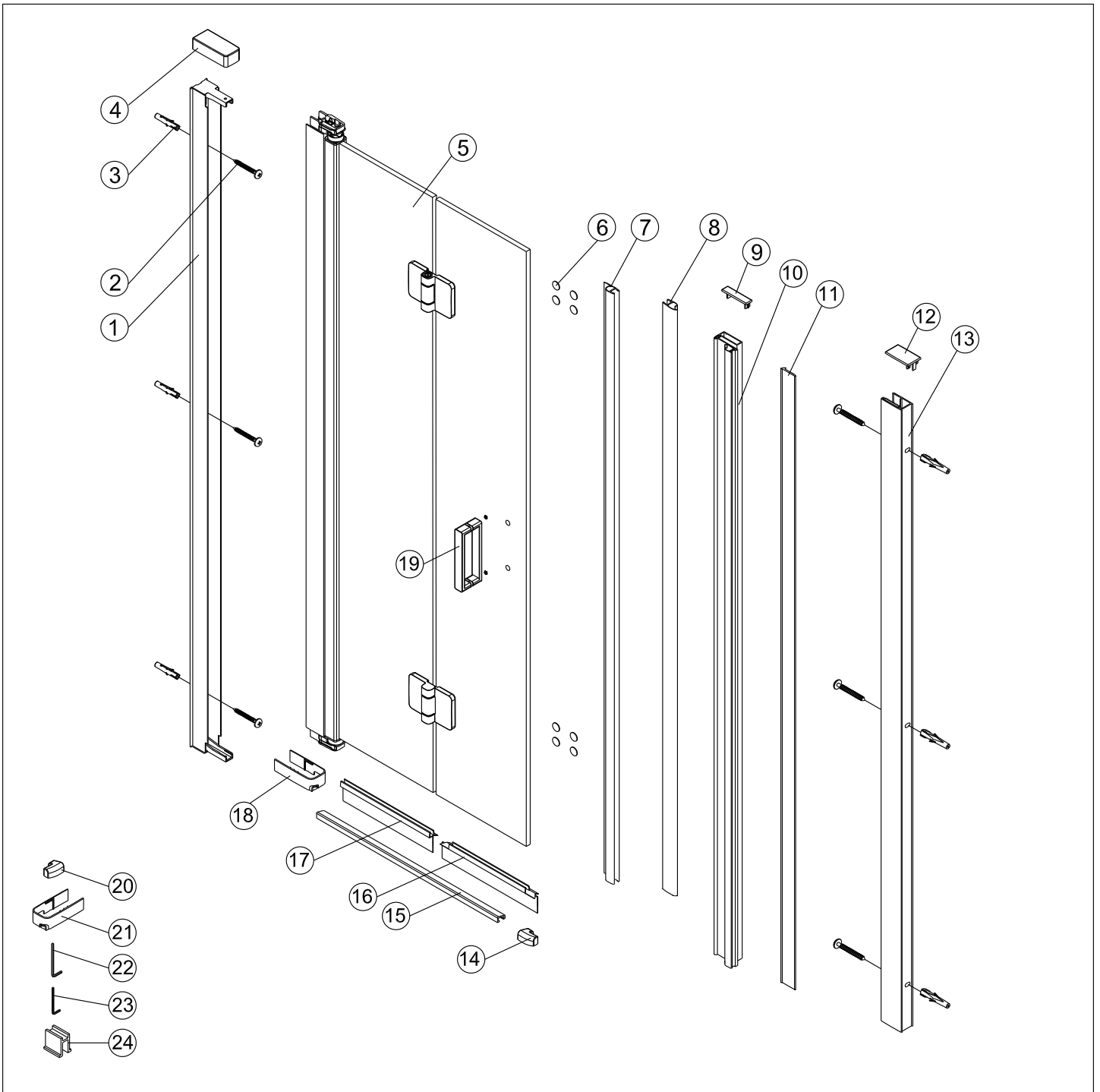


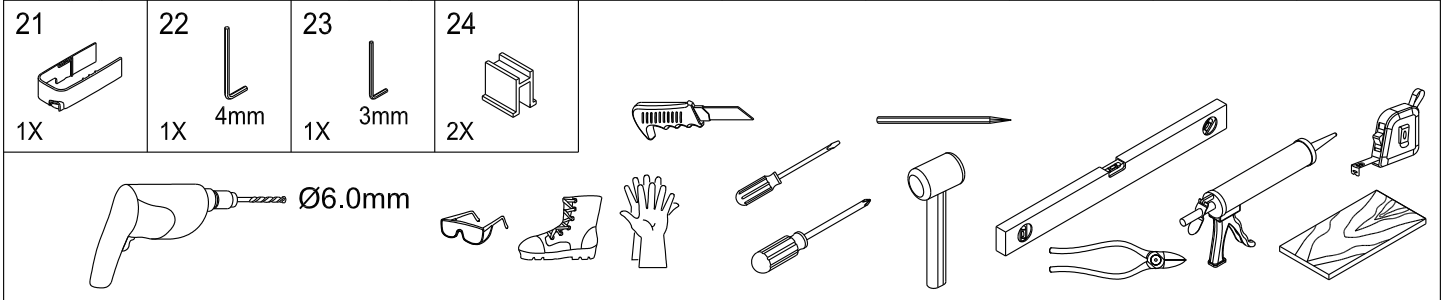
# OLTENS

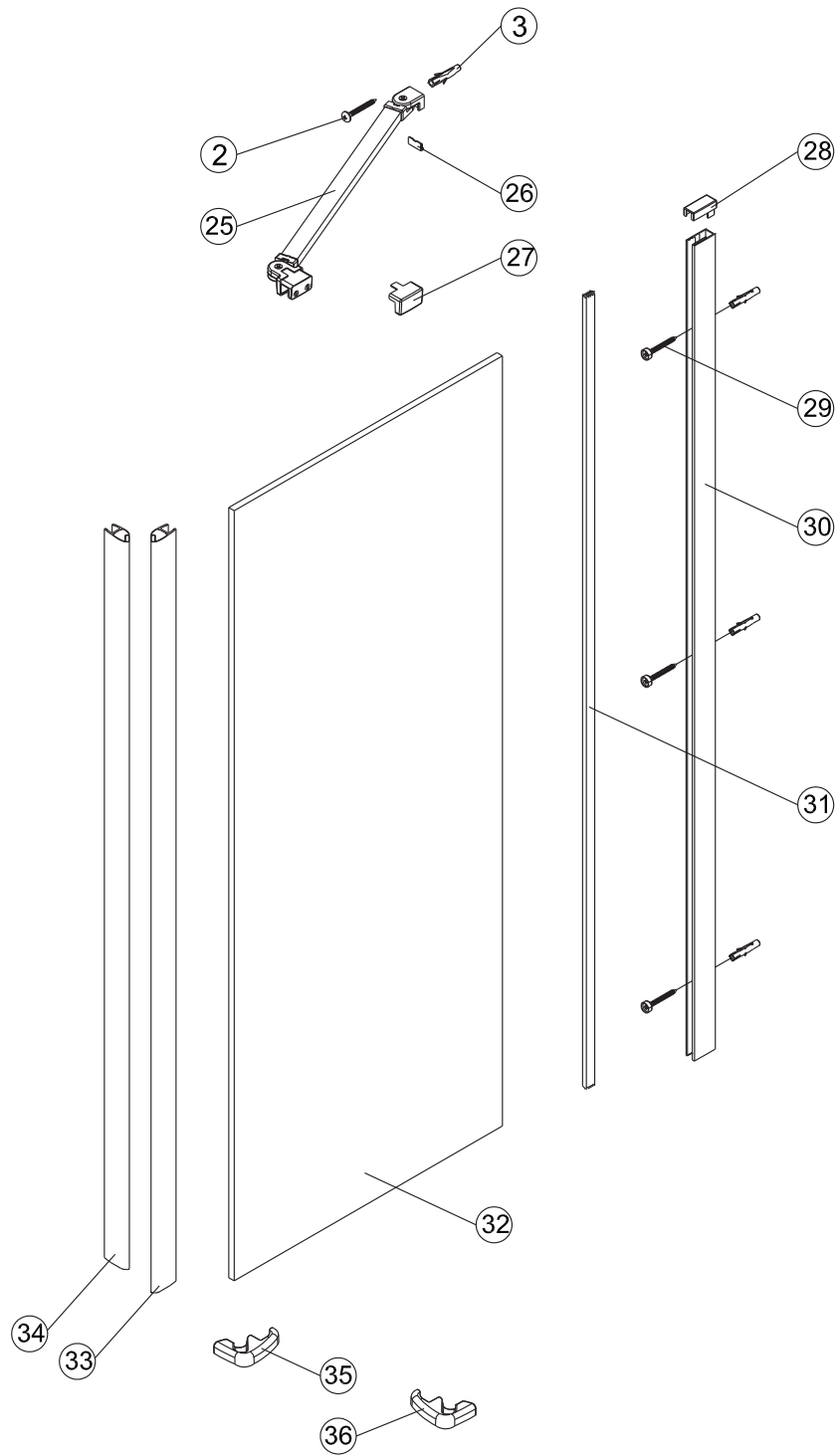




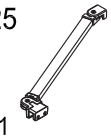


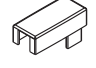

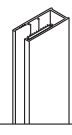
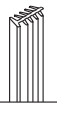
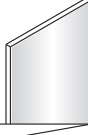




# Trana

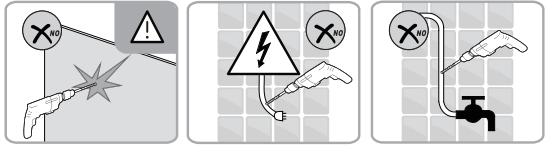
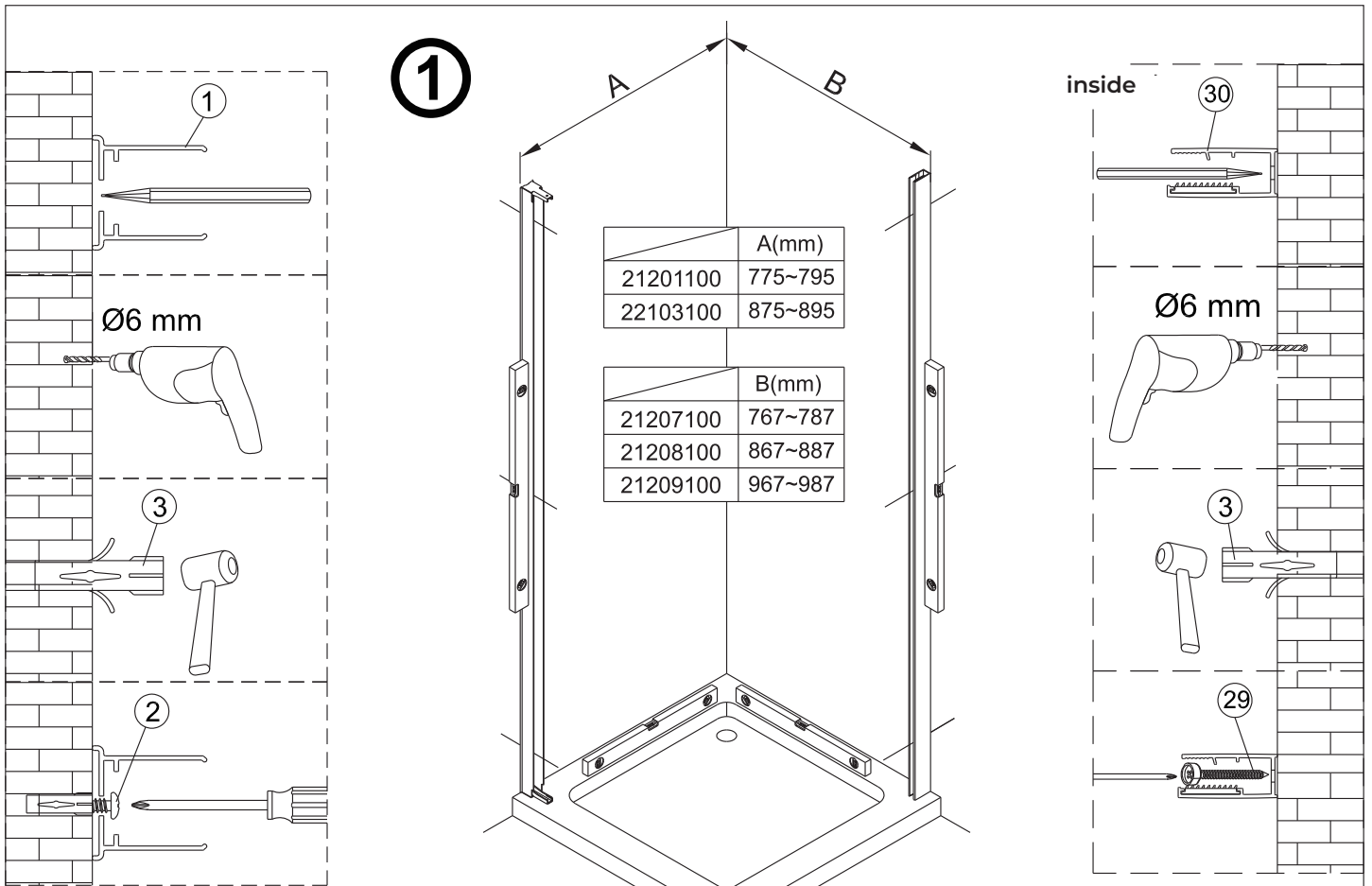


1 1X 	2 6X ST4X40 	3 6X 	4 1X 	5 1X 	6 8X 	7 1X 	8 1X 	9 1X 	10 1X 
11 1X 	12 1X 	13 1X 	14 1X 	15 1X 	16 1X 	17 1X 	18 1X 	19 1X 	20 1X 
21 1X 	22 1X 4mm 	23 1X 3mm 	24 2X 						

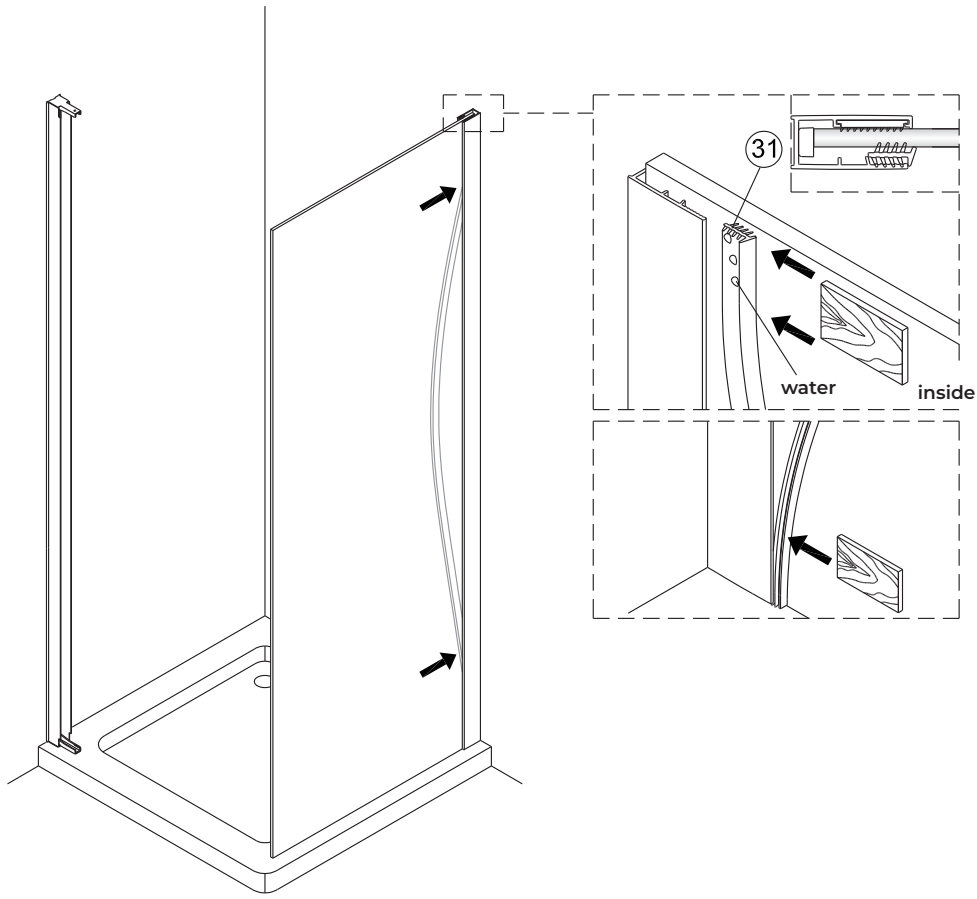




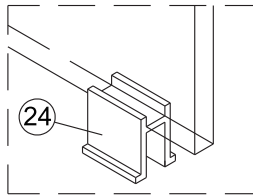
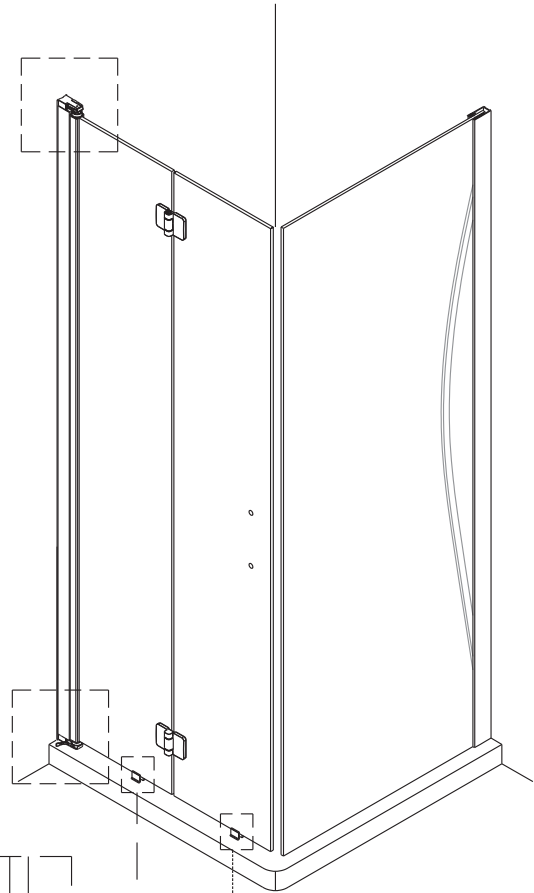
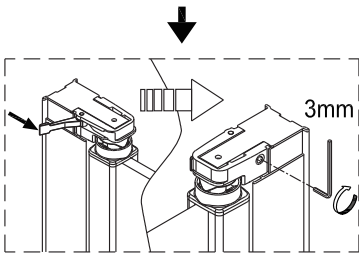
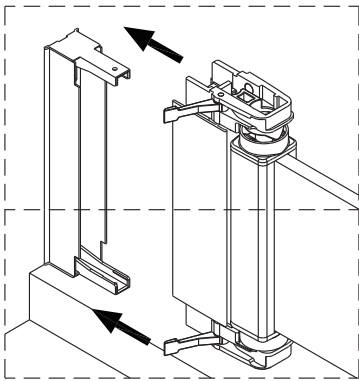
<p>2</p>  <p>x1 ST4X40</p>	<p>3</p>  <p>x4</p>	<p>25</p>  <p>x1</p>	<p>26</p>  <p>x1</p>	<p>27</p>  <p>x1</p>	<p>28</p>  <p>x1</p>	<p>29</p>  <p>x3 ST4X40</p>	<p>30</p>  <p>x1</p>	<p>31</p>  <p>x1</p>	<p>32</p>  <p>x1</p>
<p>33</p>  <p>x1 L=1918</p>	<p>34</p>  <p>x1</p>	<p>35</p>  <p>x1</p>	<p>36</p>  <p>x1</p>						



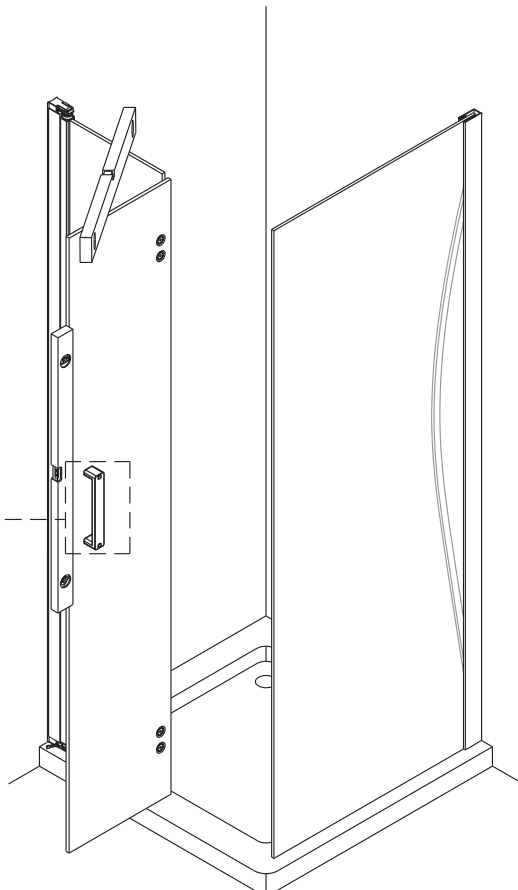
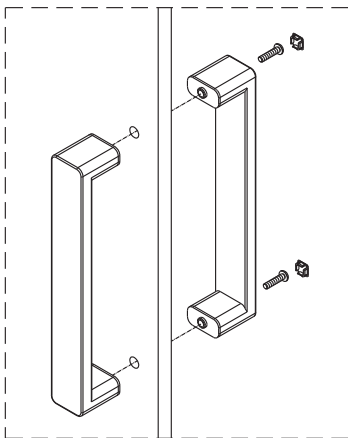
**2**



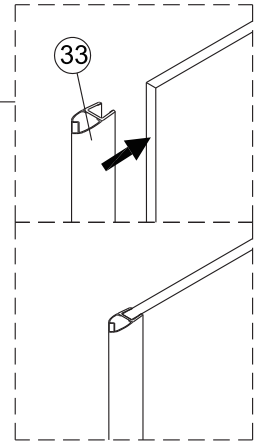
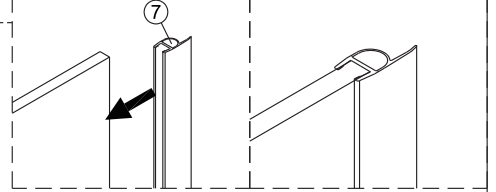
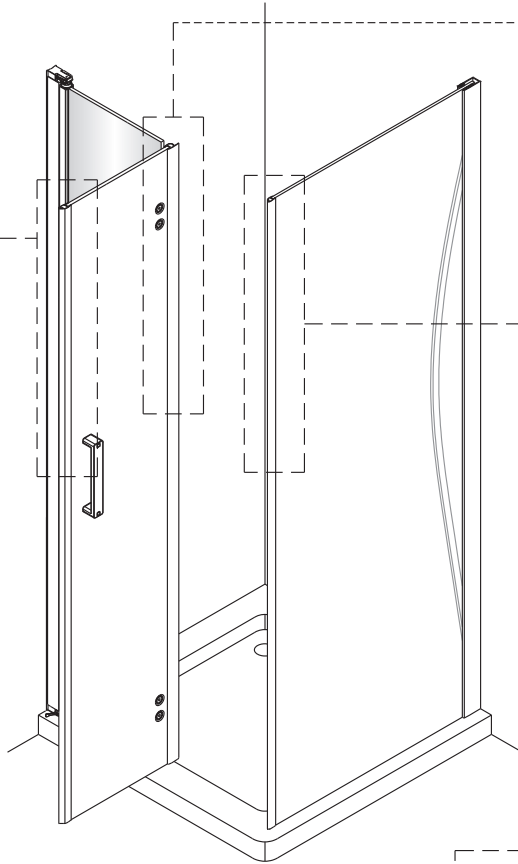
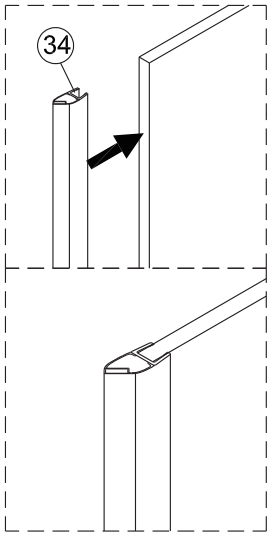
3



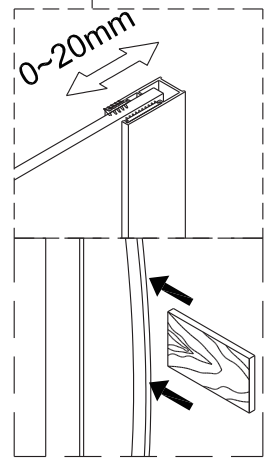
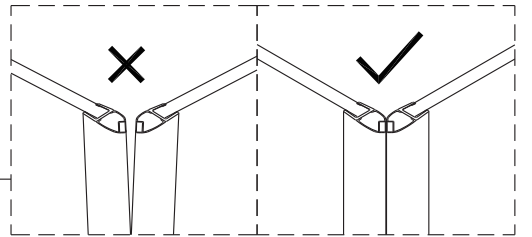
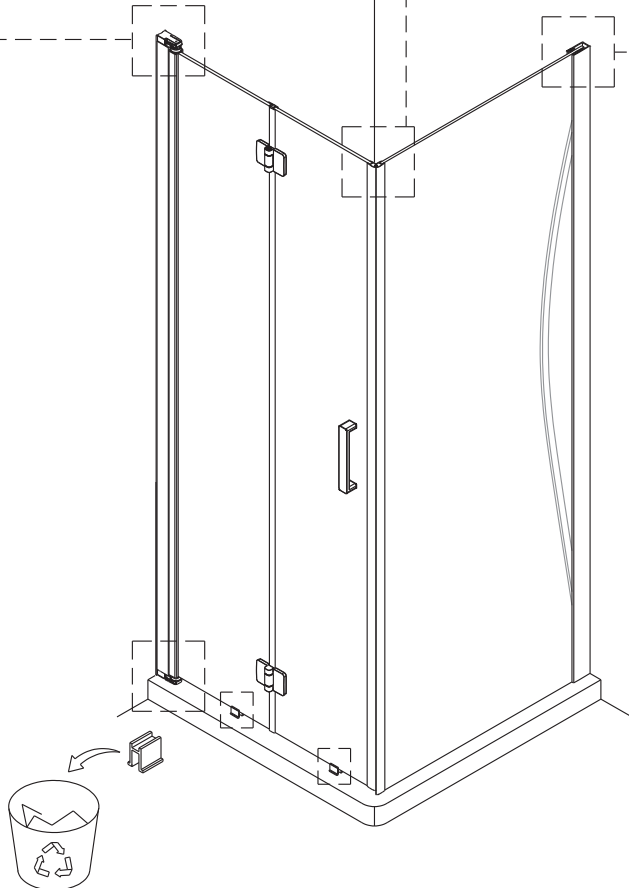
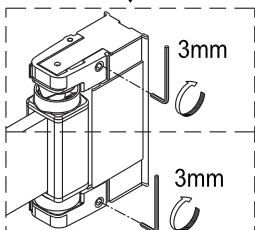
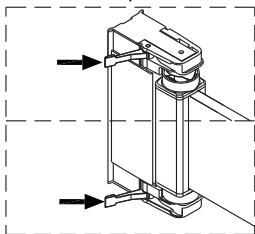
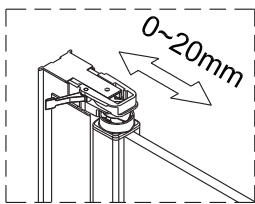
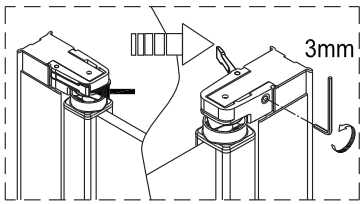
4



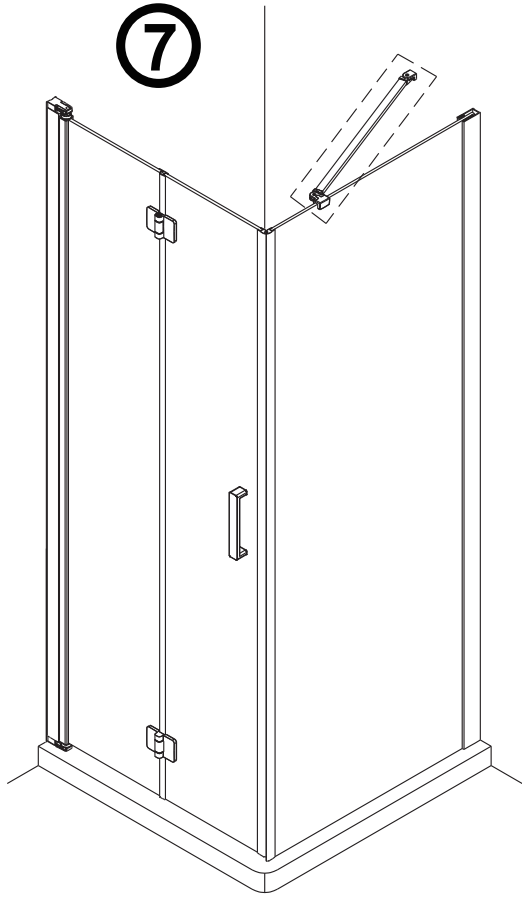
5



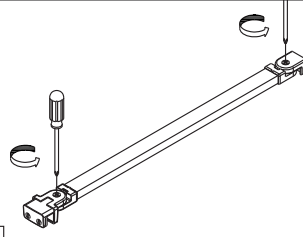
6



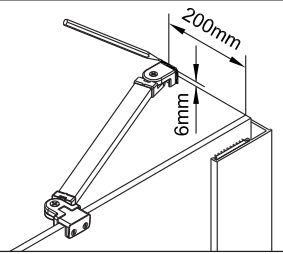
7



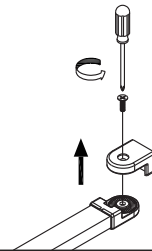
a



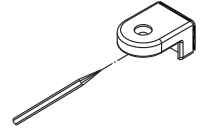
b



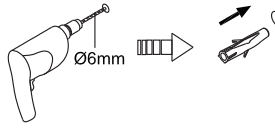
c



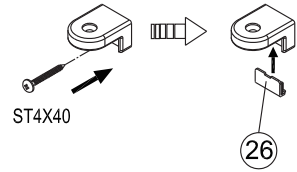
d



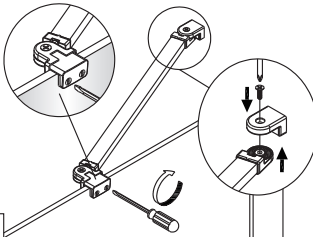
e



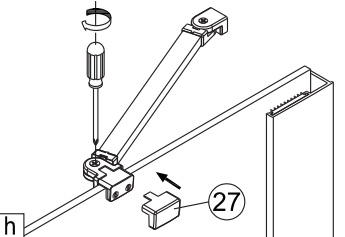
f



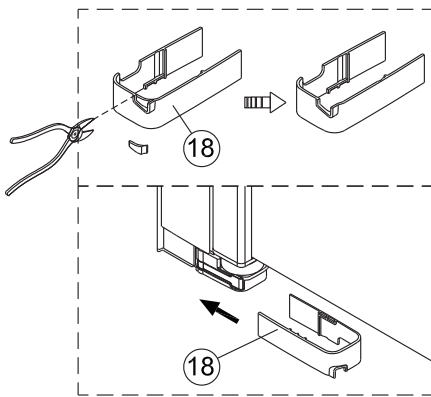
g



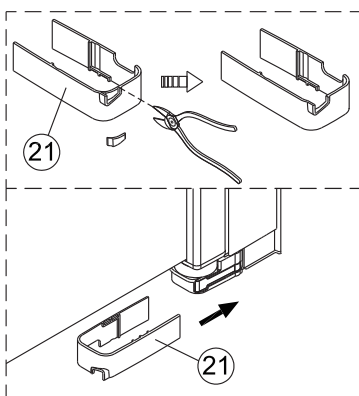
h



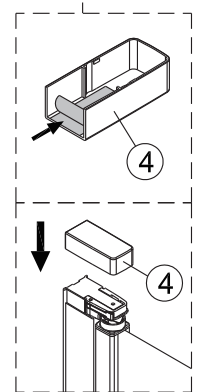
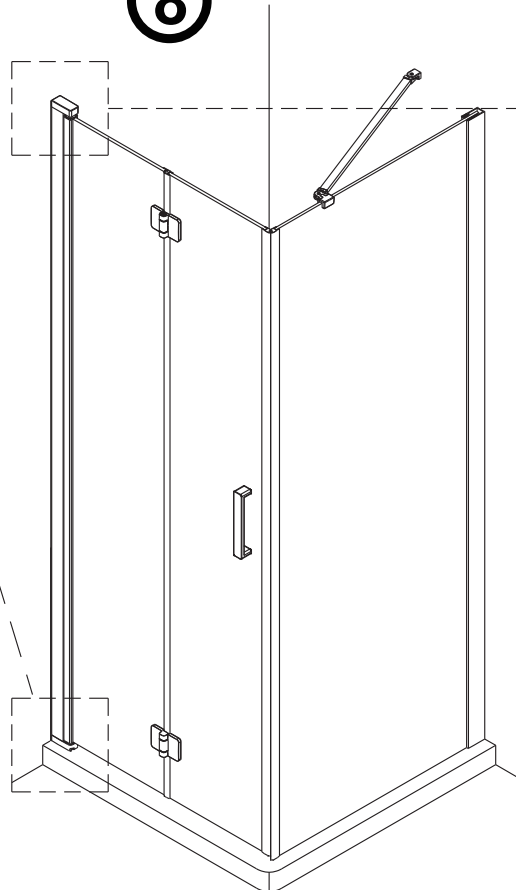
Left side



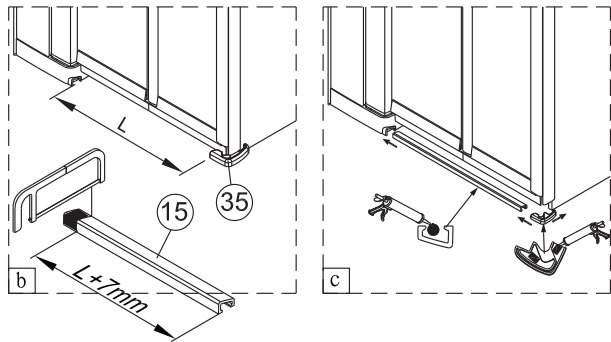
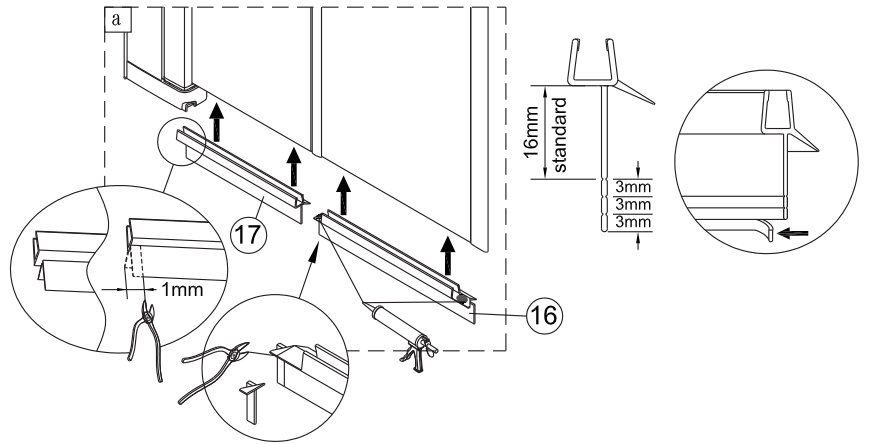
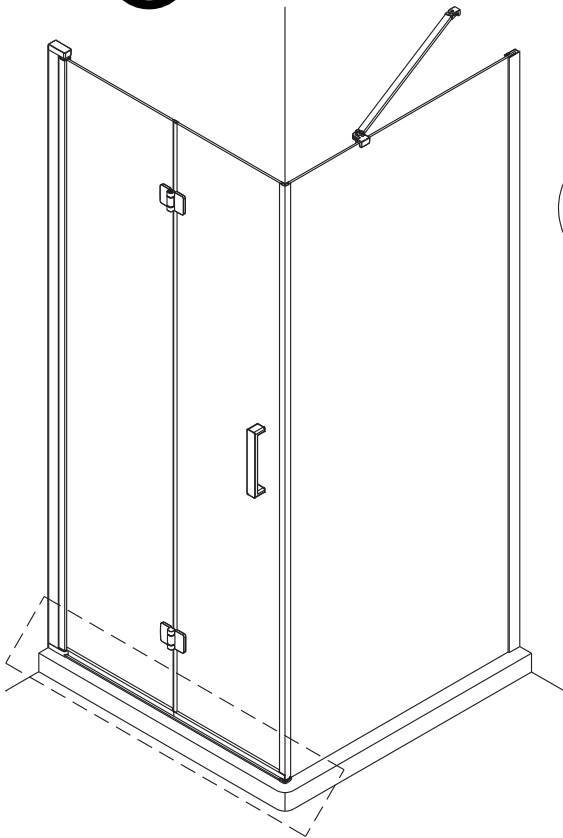
Right side



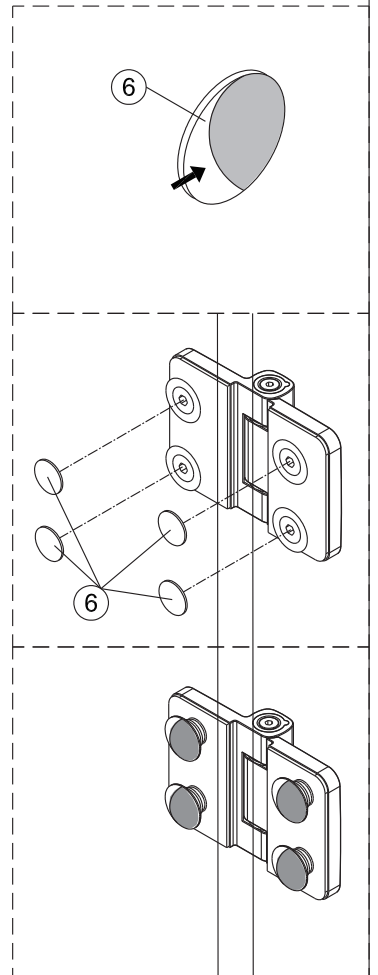
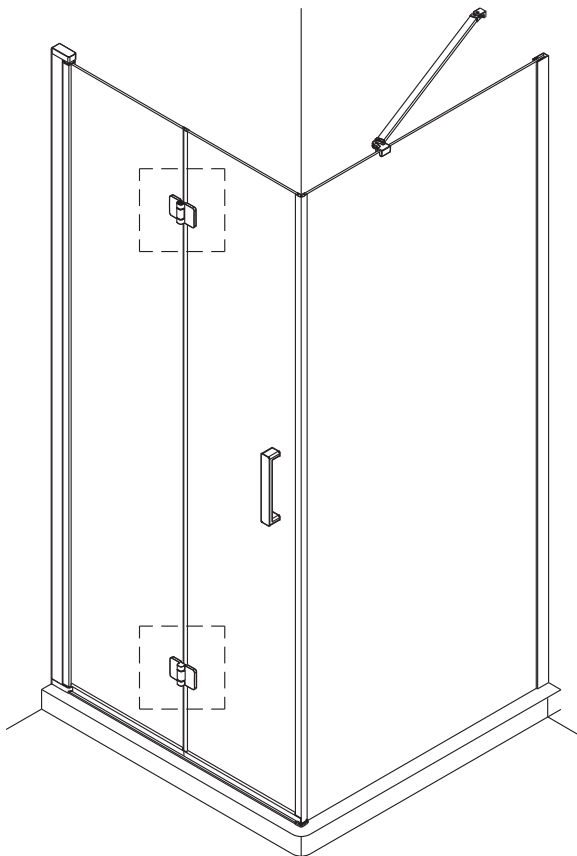
8



9

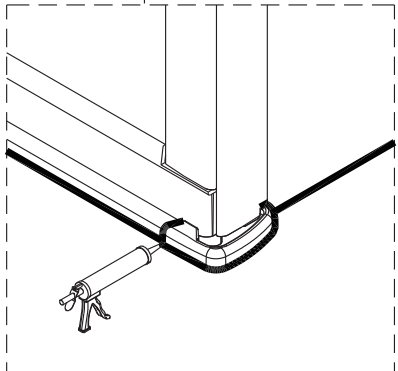
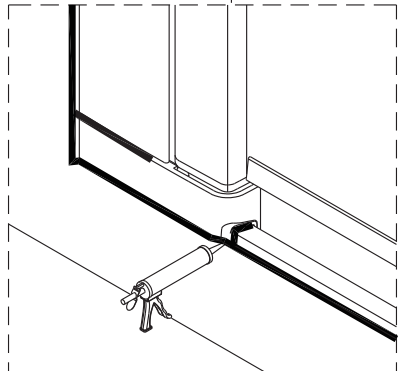
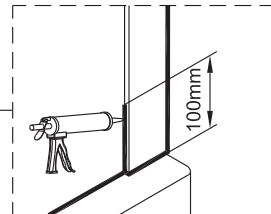
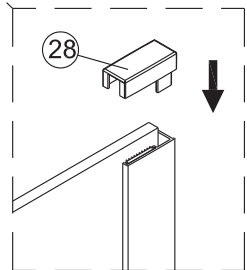
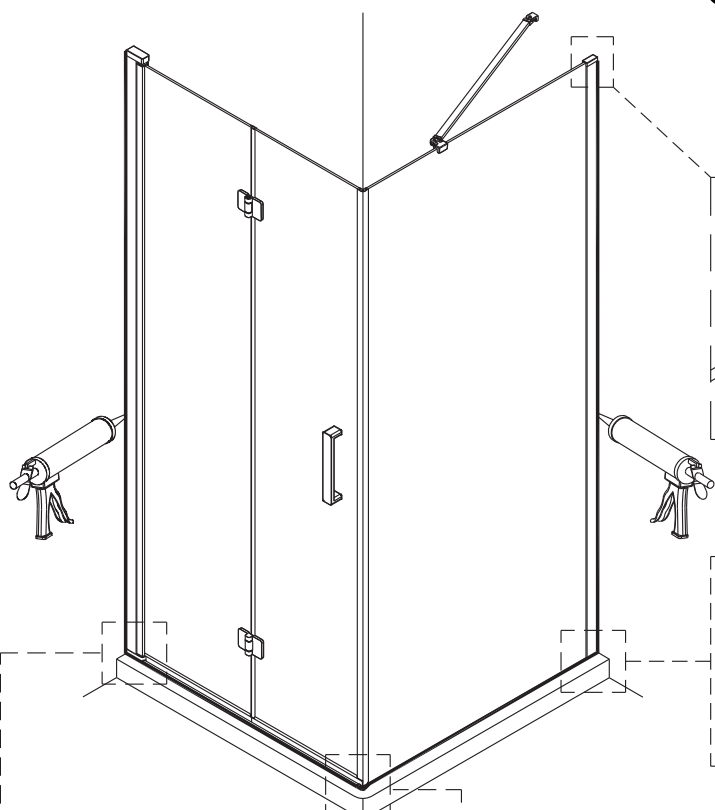


10





11



✓ YES

PH=6.8~7.2

✗ NO

PH<6.8 ; PH>7.2