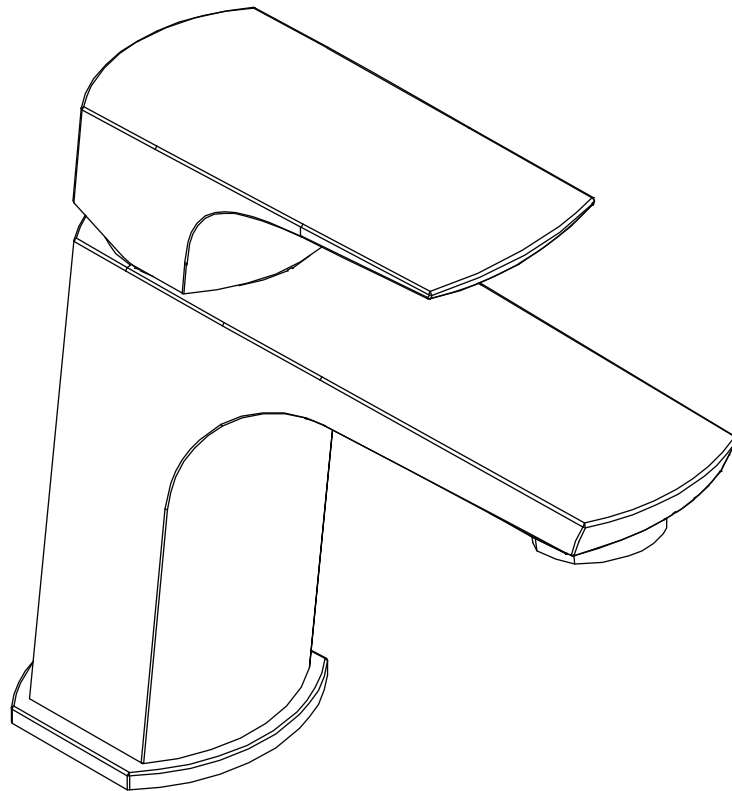
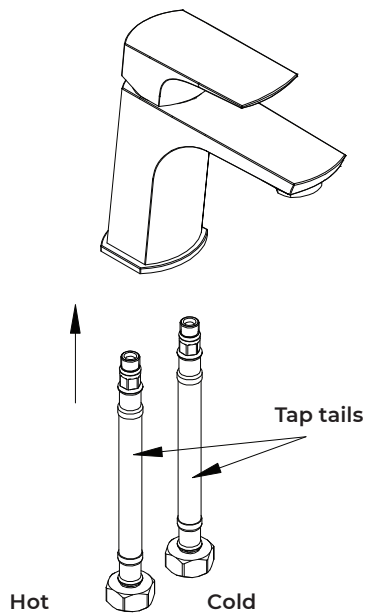


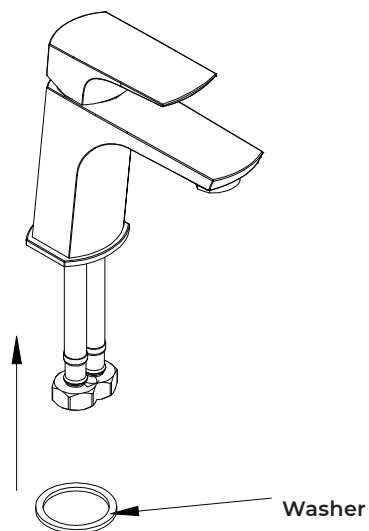
OLTENS



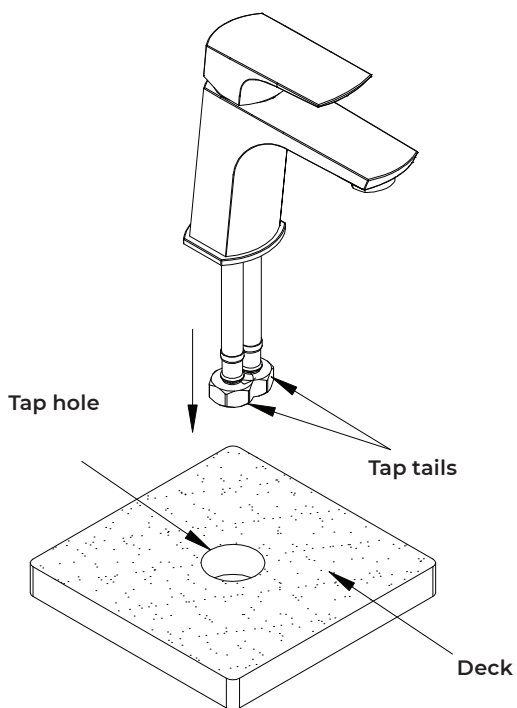
Deck-mount basin or bidet tap - fitting guide



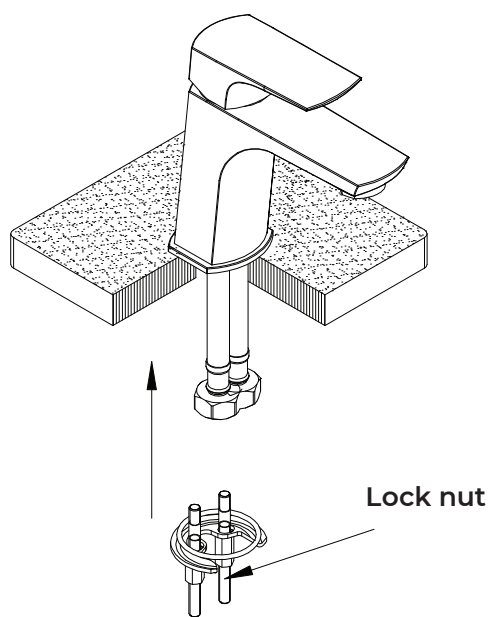
1. Screw the flexible tails to the body of the tap.



2. Install the washer under the body of the tap.

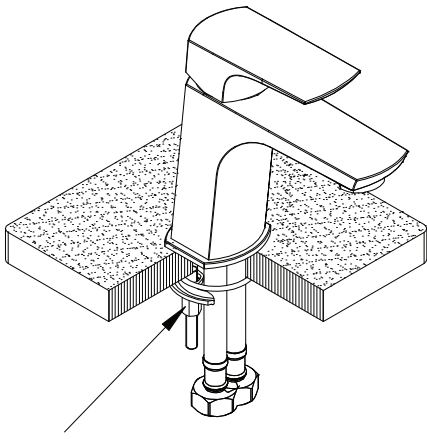


3. Feed the tap tails through the tap hole (e.g. in the basin or bidet).



4. Place and fix the lock nut under the body of the tap.

Note! The drawings are for illustration and instruction purpose only.
The appearance of the tap may be different from that seen in the drawings.



5. Ensure that the lock nut is fixed and the tap is stable.

Technical information

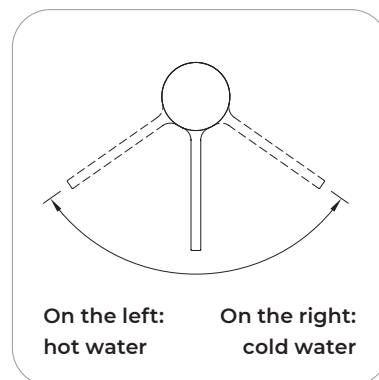
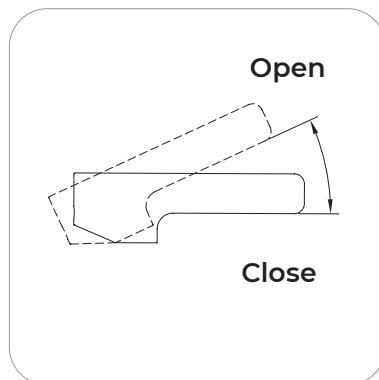
Maximum pressure **1 MPa**

Recommended pressure **0,1 - 0,5 MPa**

Maximum temperature of hot water **90°C**

Recommended temperature of hot water **65°C**

Check whether the installation of hot and cold water was done correctly.



Operation

To start the water flow and fluently adjust its rate, turn the handle vertically upwards.

To increase water temperature, turn the handle left, and to reduce – turn the handle right. Positioning the handle on the extreme left results in the flow of hot water only, while placing it on the extreme right – the flow of cold water only.

Care and maintenance

Flush with clean water and wipe with a dry, soft cloth.

For heavier deposits, it is recommended to use special tap cleaning agents, preferably professional Oltens products from the NanoCare and NanoShine series.

Never use agents containing alcohol, disinfectants, solvents and strong bases.

Never clean the surface of the tap with rough cloths or cleaning agents containing abrasive materials and acids..

