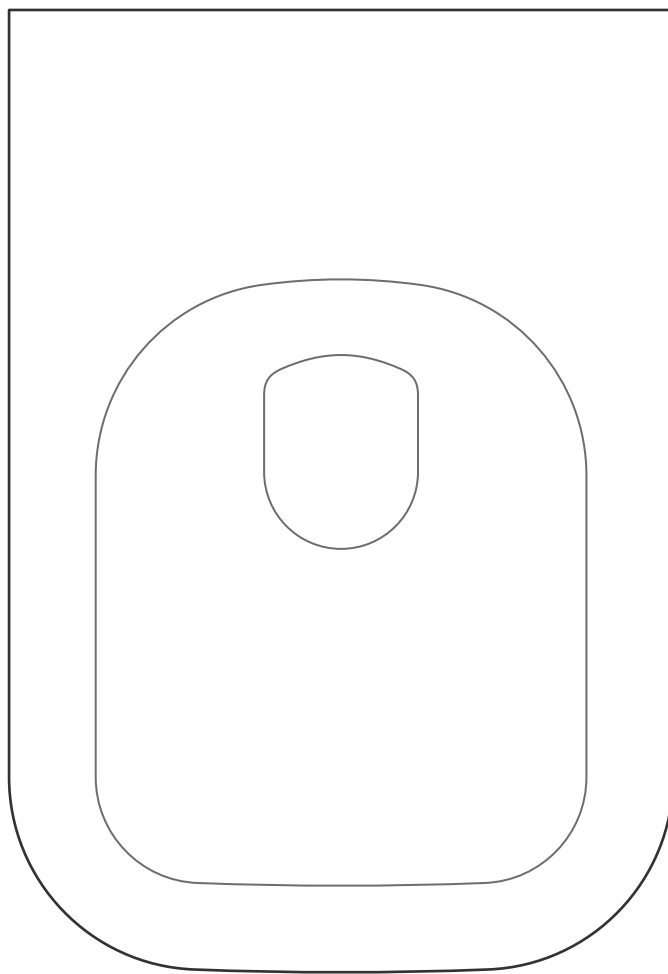


OLTENS

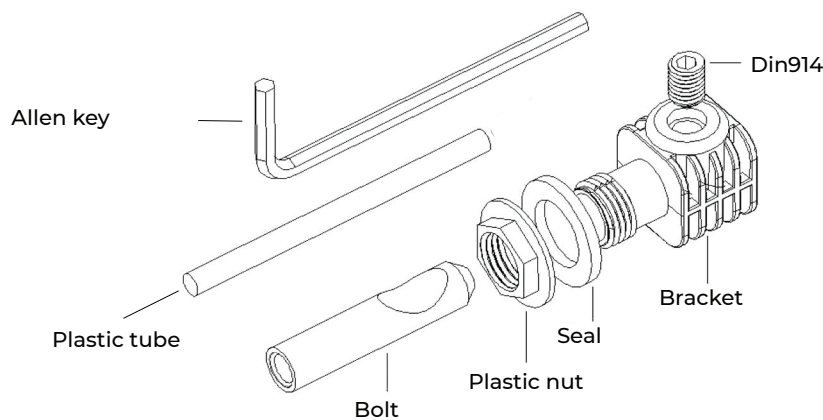
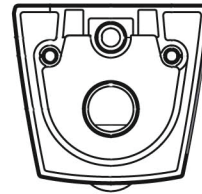


Wall-hung toilet fitting guide

Wall-hung toilet fitting guide

- Wall-hung toilet installation kit

1. Bolt	2	M16 x 70
2. Plastic nut	2	POM
3. Seal	2	Nylon
4. Bracket	2	Nylon
5. DIN914	2	DIN914
6. Plastic tube	2	-
7. Allen key	1	6 mm



Read this guide carefully to learn about the required tools, materials and installation steps. Follow each step of a specific installation procedure. It will help you avoid costly errors. Apart from the correct installation, read all instructions on safe use. Turn off water supply.

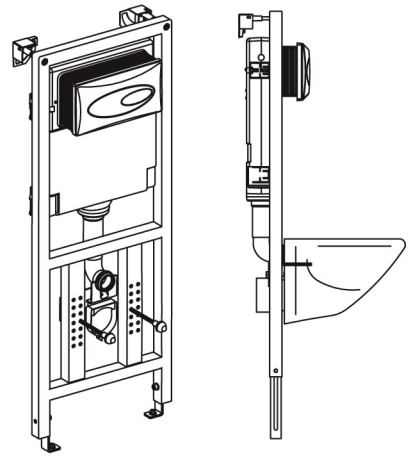
Required tools and materials (not included):

- adjustable spanner
- measure
- level
- spatula
- pipe cutter
- metal cutting saw
- screwdriver

Installation

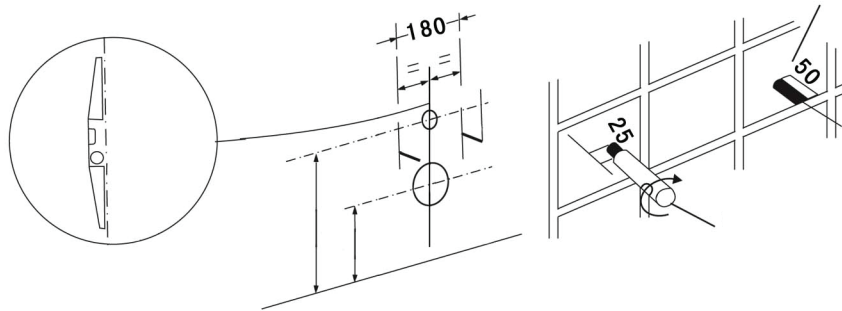
1. Installation of concealed frame

1. Install the concealed frame of a wall-hung toilet in accordance with the installation guide of the concealed frame.
2. Before the installation of the wall-hung toilet turn off water supply



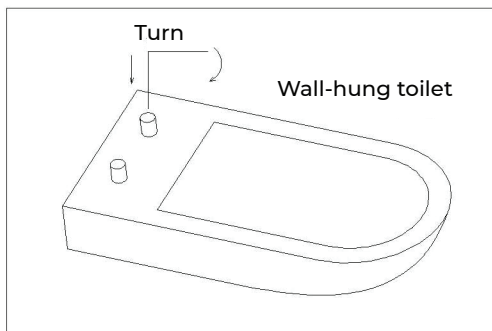
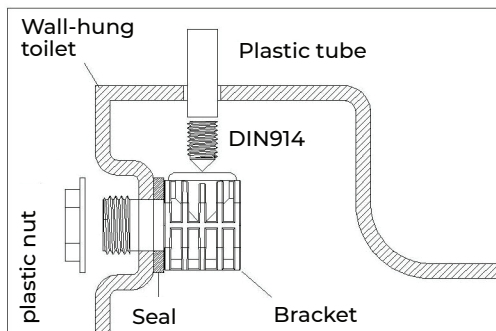
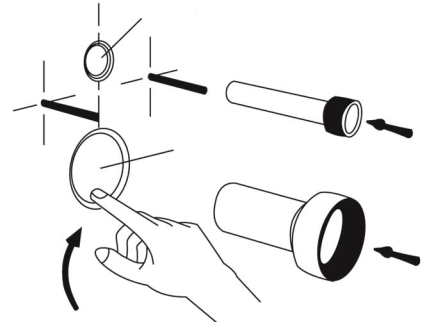
2. Setting the spacing of the wall-hung toilet

After installing the cistern, you should remember to set on the frame the spacing between connections of the wall-hung toilet. The spacing of the wall-hung toilet is shown in the figure below (180 mm)



3. Installation of connections

Use the measure to check the length of connection pipes, i.e. the pipe supplying water to the bowl and the discharge pipe. If needed, shorten the connection pipes to the appropriate length and file sharp edges off with a file to eliminate them..



4. Installation of wall-hung toilet

Fit the toilet installation kit in the mounting holes in the frame. Put on the wall-hung toilet, if it is not fit to the wall, take off the toilet and tighten the bolt. Apply sealing paste to the place of connection of the connection pipe to the wall-hung toilet and the frame. Fit the toilet on the previously installed concealed frame by putting the toilet on the frame, inserting the connection and discharge pipes. Install a seal between the toilet and the wall to provide sound insulation and amortise stresses caused during the use of the wall-hung toilet. Apply sealing silicone to the edge of the wall-hung toilet discharge. Install the toilet seat in accordance with the installation guide of the toilet seat.